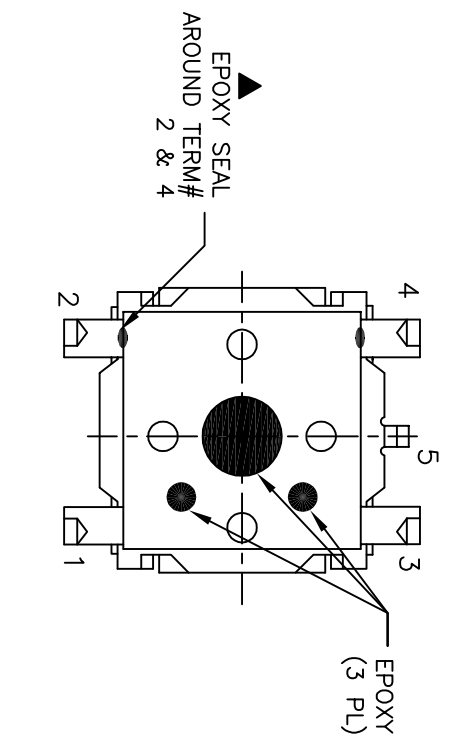
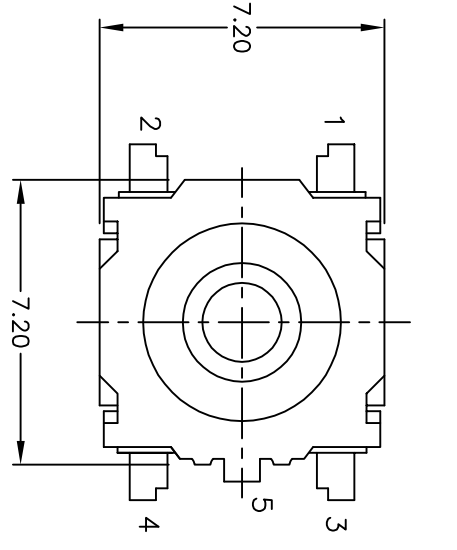
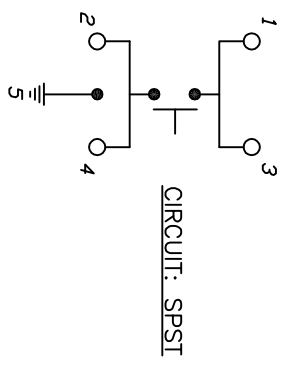


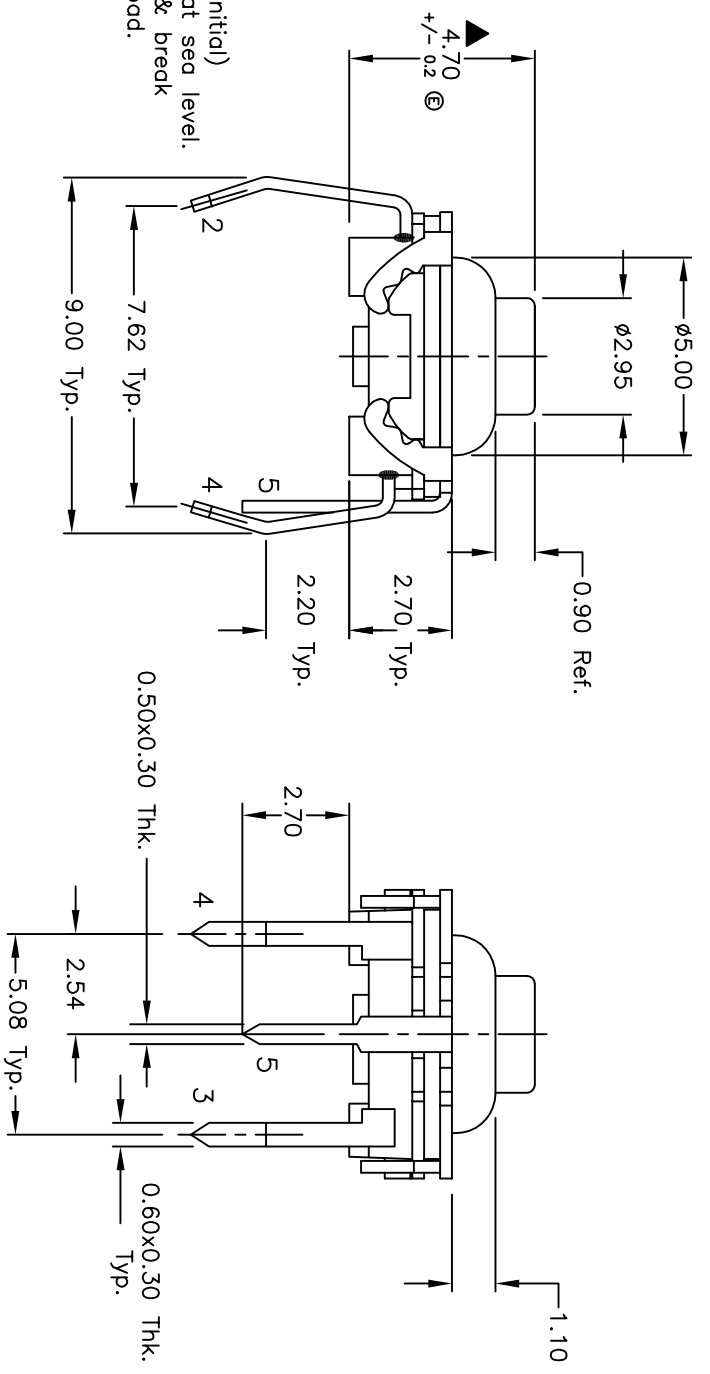
RECOMMENDED P.C.B. LAYOUT



BOTTOM VIEW



- NOTES:
1. ALL DIMENSIONS IN MM
 2. GENERAL TOLERANCE: X.X=±0.4
X.XX=±0.25
 3. TERM. NOS. FOR REF. ONLY
 4. ACTUATION FORCE: 300±75gf
 5. TRAVEL TO MAKE: 0.3mm +0.4/0.0
 6. RATING: 30mA, @12V DC
 7. CONTACT RESISTANCE: 50 MILLI-OHMS (initial)
 8. DIELECTRIC STRENGTH: 300 V RMS min at sea level.
 9. ELECTRICAL LIFE CYCLE: 150,000 make & break cycles at full load.
 10. ▲ DESIGNATE MAJOR DIMENSIONS.
 11. OPERATING TEMP: -40°C to +85°C
 12. 2002/95/EC (ROHS) COMPLIANT



E	18193	BUTTON LENGTH TOLERANCE CHG.	7/31/08	BLR					
D	15471	REV. BOTTOM VIEW	10/28/05	PH					
C	12191	REVISED NOTE 9, ADD NOTE11	5/28/02	CB					
B	10888	REVISED AND REDRAWN	1/26/99	MM					
REV.	ECN NO.	DESCRIPTION	DATE	CHKD					
<p>THE INFORMATION CONTAINED IN THIS DOCUMENT IS PROPRIETARY TO E-SWITCH AND IS NOT TO BE COPIED OR TRANSMITTED</p>									
SCALE		DATE		DR		DWG		REV	
5:1		7/31/08		BLR		L 400101		E	
TITLE					GS 4.70 F300 QP				