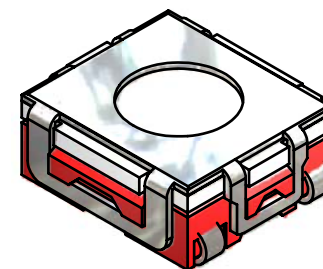
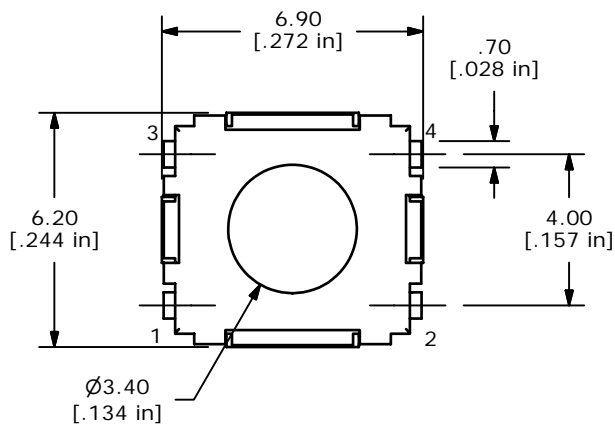
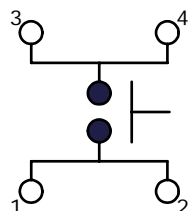


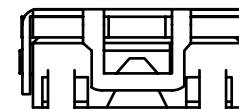
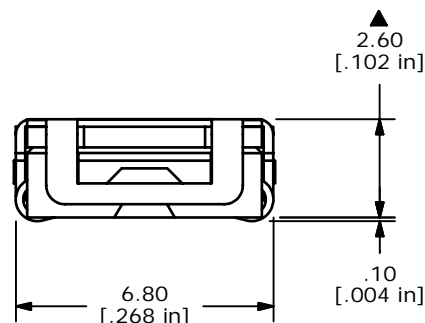
P.C.B. MOUNTING LAYOUT



ISOMETRIC



CIRCUIT: SPST



NOTES:

- 1. GENERAL TOLERANCE: $x.x \pm 0.4$
 $x.xx \pm 0.25$
- 2. RATING: 50mA@12VDC
- 3. TRAVEL: $0.35 \pm 0.2\text{mm}$
- 4. CONTACT RESISTANCE: 100m OHMS
- 5. LIFE CYCLES: 100,000 CYCLES
- ▲6. OPERATING FORCE: $260 \pm 50\text{gf}$
- 7. ▲DENOTES CRITICAL PARAMETER
- 8. PACKAGE: TAPE AND REEL, 1900 PIECES PER REEL
- 9. 2002/95/EC (ROHS) COMPLIANT
- ▲10. CONTACT MATERIAL: SILVER

E-SWITCH®

TITLE TL6700NF260QJ

| | | | | |
|-----|--------|-------------------------|------------|----|
| A | 16652 | RELEASED FOR PRODUCTION | 11/14/2006 | TN |
| REV | PCR NO | DESCRIPTION | DATE | BY |

| | | | | |
|-------|------------|----|---------|-----|
| SCALE | DATE | DR | DWG | REV |
| 5:1 | 11/14/2006 | TN | P010458 | A |

THE INFORMATION CONTAINED IN THIS DOCUMENT IS PROPRIETARY TO E-SWITCH AND IS NOT TO BE COPIED OR TRANSFERRED