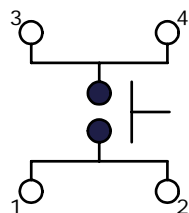
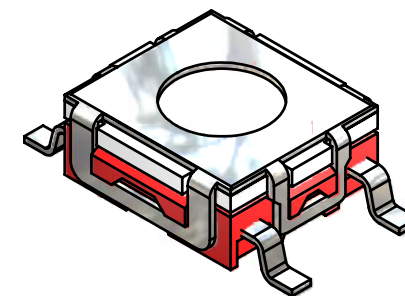
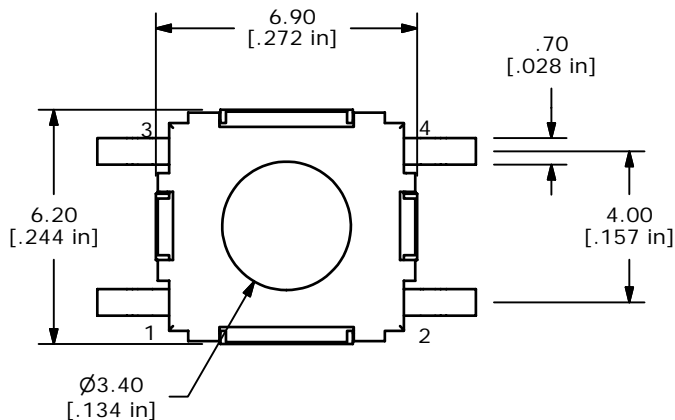


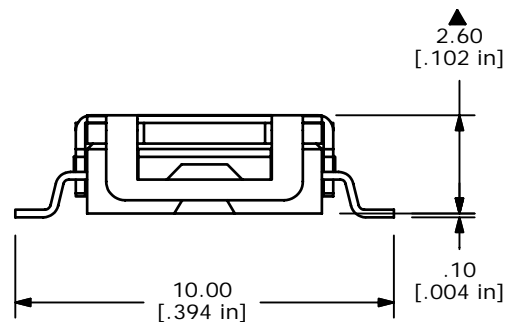
P.C.B. MOUNTING LAYOUT



CIRCUIT: SPST



ISOMETRIC



NOTES:

1. GENERAL TOLERANCE: x.x ± 0.4
x.xx ± 0.25
2. RATING: 50mA@12VDC
3. TRAVEL: 0.35±0.2mm
4. CONTACT RESISTANCE: 100m OHMS
5. LIFE CYCLES: 100,000 CYCLES
- ▲6. OPERATING FORCE: 160± 50gf
7. ▲DENOTES CRITICAL PARAMETER
8. PACKAGE: TAPE AND REEL, 1400 PIECES PER REEL
9. 2002/95/EC (ROHS) COMPLIANT
- ▲10. CONTACT MATERIAL: SILVER

E-SWITCH®

TITLE TL6700NF160QG

A	16655	RELEASED FOR PRODUCTION	11/14/2006	TN
REV	PCR NO	DESCRIPTION	DATE	BY

THE INFORMATION CONTAINED IN THIS DOCUMENT IS PROPRIETARY TO E-SWITCH AND IS NOT TO BE COPIED OR TRANSFERRED

SCALE	DATE	DR	DWG	REV
5:1	11/14/2006	TN	P010461	A