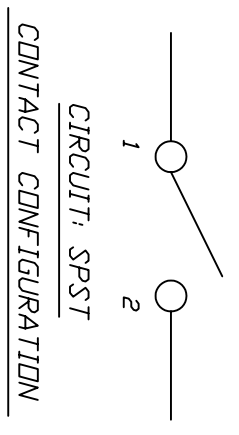
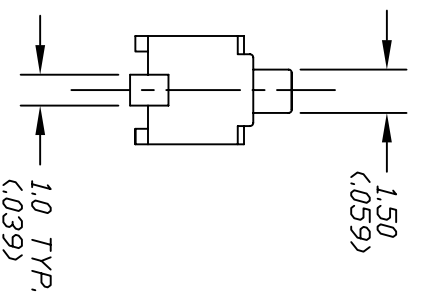
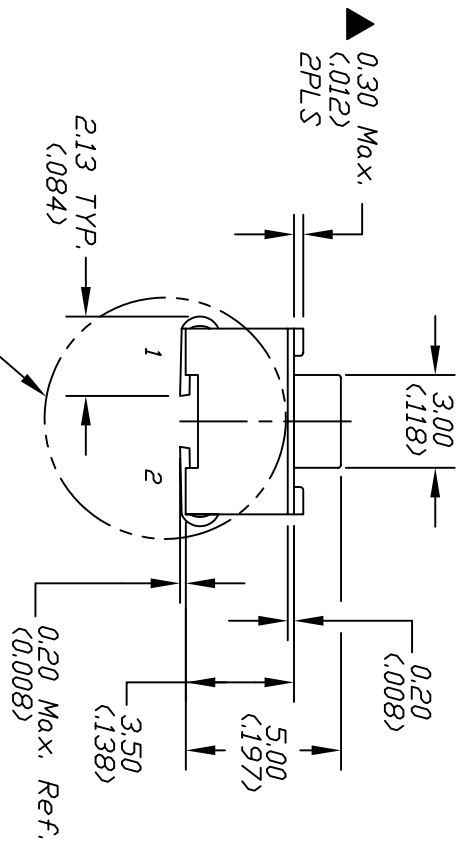
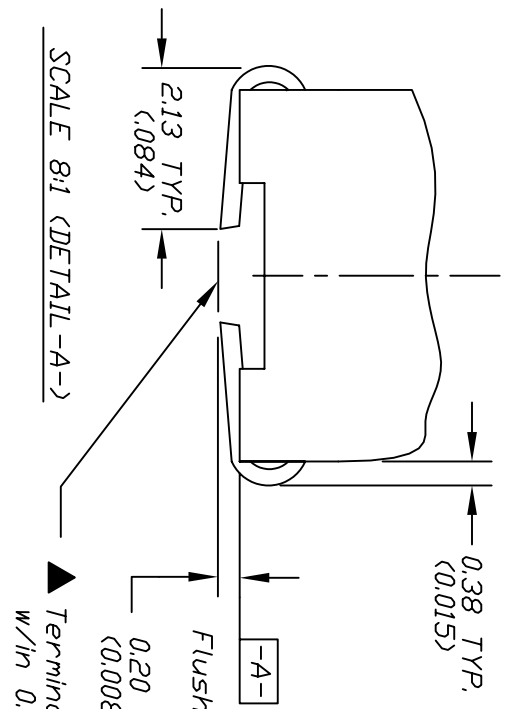


RECOMMEND P.C.B. PADS



DETAIL A



Flush with surface -A- to below. Typ.
 ▲ 0.20 Max. (0.008)
 ▲ Terminals must be coplanar w/in 0.10 (0.004) Total

SCALE 8:1 (DETAIL-A-)

NOTES:

1. ALL DIMENSIONS IN MM (IN)
2. TERM. NOS. FOR REF. ONLY
3. TRAVEL: 0.25 +0.2/-0.1mm
4. CONTACT RESISTANCE: 100m Ohms Max.
5. MAT'L: CASE: PPS-RYTON-R-4
STEM: NYLON 4/6
6. TERMINALS/CONTACT: COPPER ALLOY SILVER PLATED.
7. ▲ DESIGNATE MAJOR DIMENSIONS

A	RELEASED FOR PRODUCTION	DATE	CHKD	SCALE	DATE	DR	DWG	REV
REV.	DESCRIPTION	DATE	CHKD	4:1	10/21/97	MM	P010535	A
THE INFORMATION CONTAINED IN THIS DOCUMENT IS PROPRIETARY TO E-SWITCH AND IS NOT TO BE COPIED OR TRANSFERRED								
TITLE TL 3302 B F130 Q J 								
TOLERANCES								
0.0	±0.4							
0.00	±0.25							