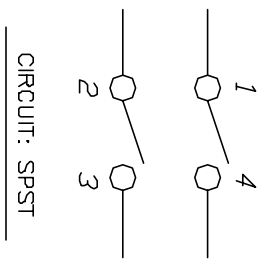
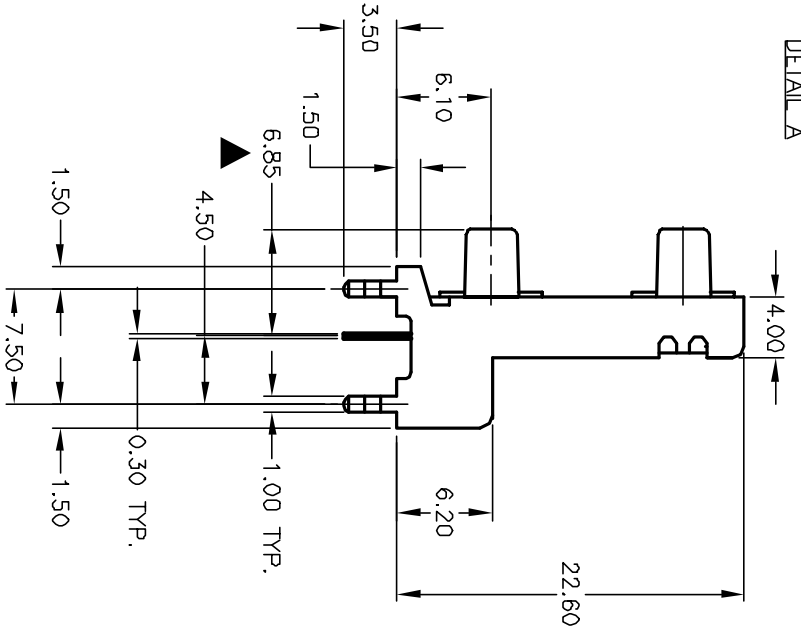
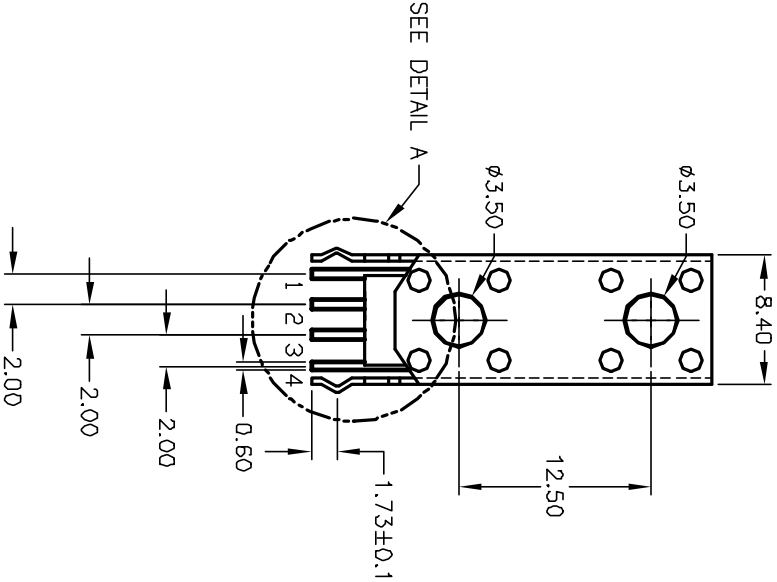
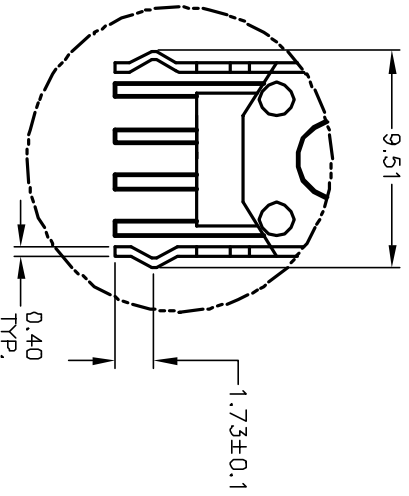
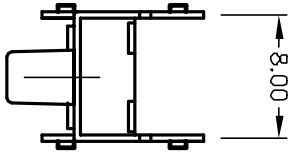


RECOMMENDED P.C.B. LAYOUT



CIRCUIT: SPST

NOTES:

1. ALL DIMENSIONS IN MM
2. GENERAL TOLERANCE: X.X=±0.4
X.XX=±0.25
3. TERM. NOS. FOR REFERENCE ONLY.
4. RATING: 50mA @12VDC
5. TRAVEL: 0.25 +0.2/-0.1mm
6. CONTACT RESISTANCE: 100mΩ-1Ω OHMS Max.
7. OPERATING FORCE: 160±50gf
8. CONTACT MATERIAL: SILVER

| | | | | |
|------|---------|-------------------------|---------|------|
| REV. | ECN No. | DESCRIPTION | DATE | CHKD |
| A | 11848 | RELEASED FOR PRODUCTION | 12/6/01 | CJB |

| | | | | | |
|--------------|-------|---------|----|---------|-----|
| TITLE | SCALE | DATE | DR | DWG | REV |
| TL53D F160 Q | 2:1 | 12/6/01 | CB | P010603 | A |



THE INFORMATION CONTAINED IN THIS DOCUMENT IS PROPRIETARY TO E-SWITCH AND IS NOT TO BE COPIED OR TRANSFERRED