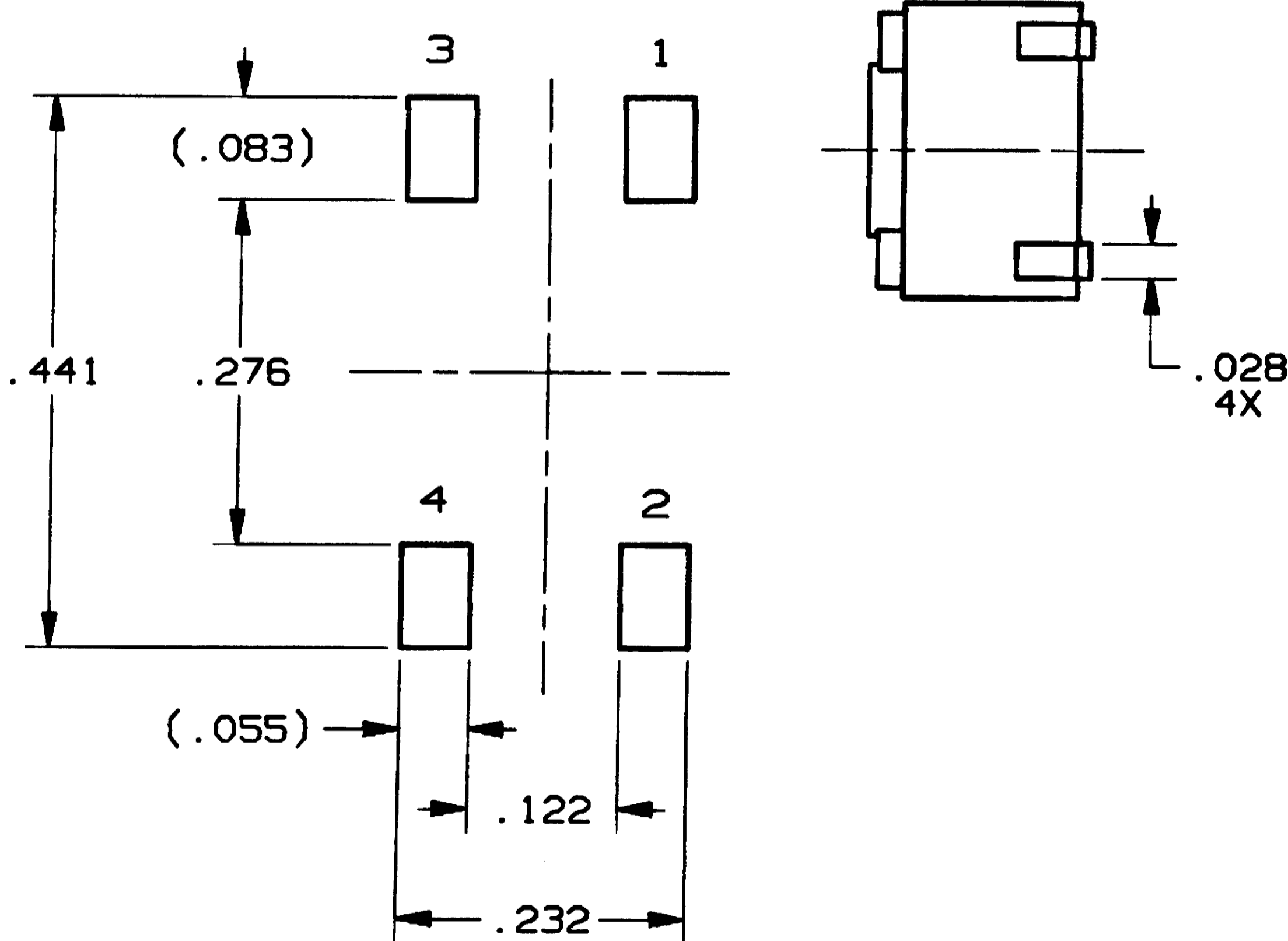
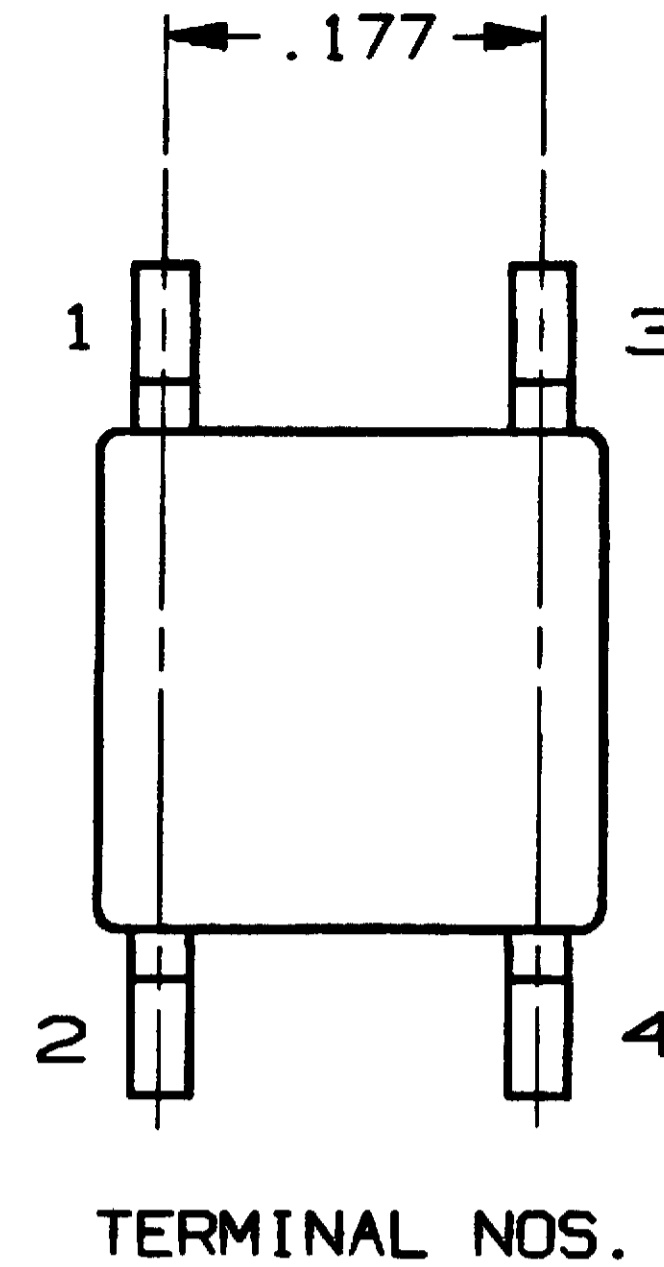
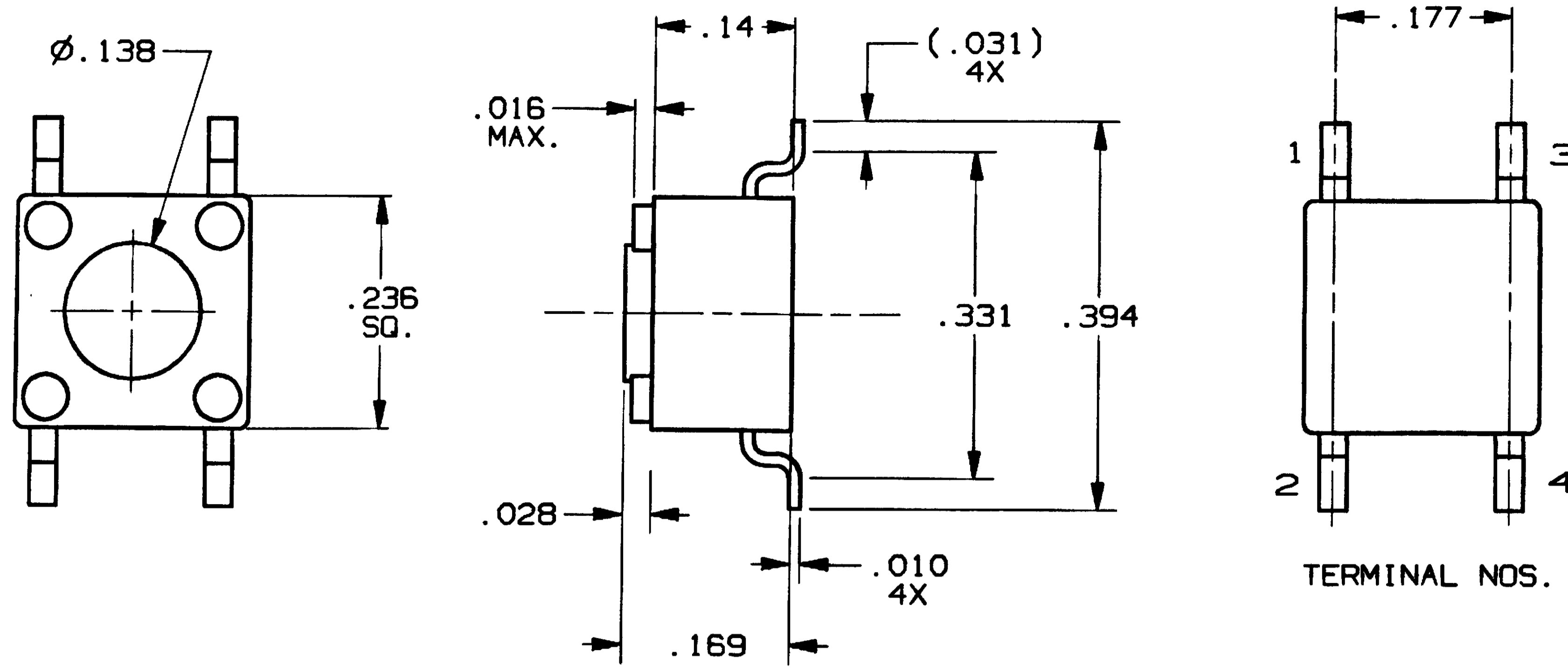


CONVERSION CHART

INCH	MM
.002	0.05
.010	0.25
.012	0.30
.016	0.41
.028	0.71
.031	0.79
.055	1.40
.083	2.11
.122	3.10
.130	3.30
.134	3.40
.138	3.51
.14	3.6
.169	4.29
.177	4.50
.196	4.98
.232	5.89
.236	5.99
.276	7.01
.331	8.41
.394	10.01
.441	11.20



RECOMMENDED PAD LAYOUT
TOLERANCE ±.002 UNLESS OTHERWISE NOTED

SPECIFICATIONS:

MATERIALS:
CASE: PPS, COLOR: BROWN
COVER: STEEL, TIN PLATE.
ACTUATOR BUTTON: PPS, BLACK
MOVING CONTACT: COPPER ALLOY, SILVER CLAD.
FIXED CONTACT/TERMINALS: COPPER ALLOY, SILVER PLATE.

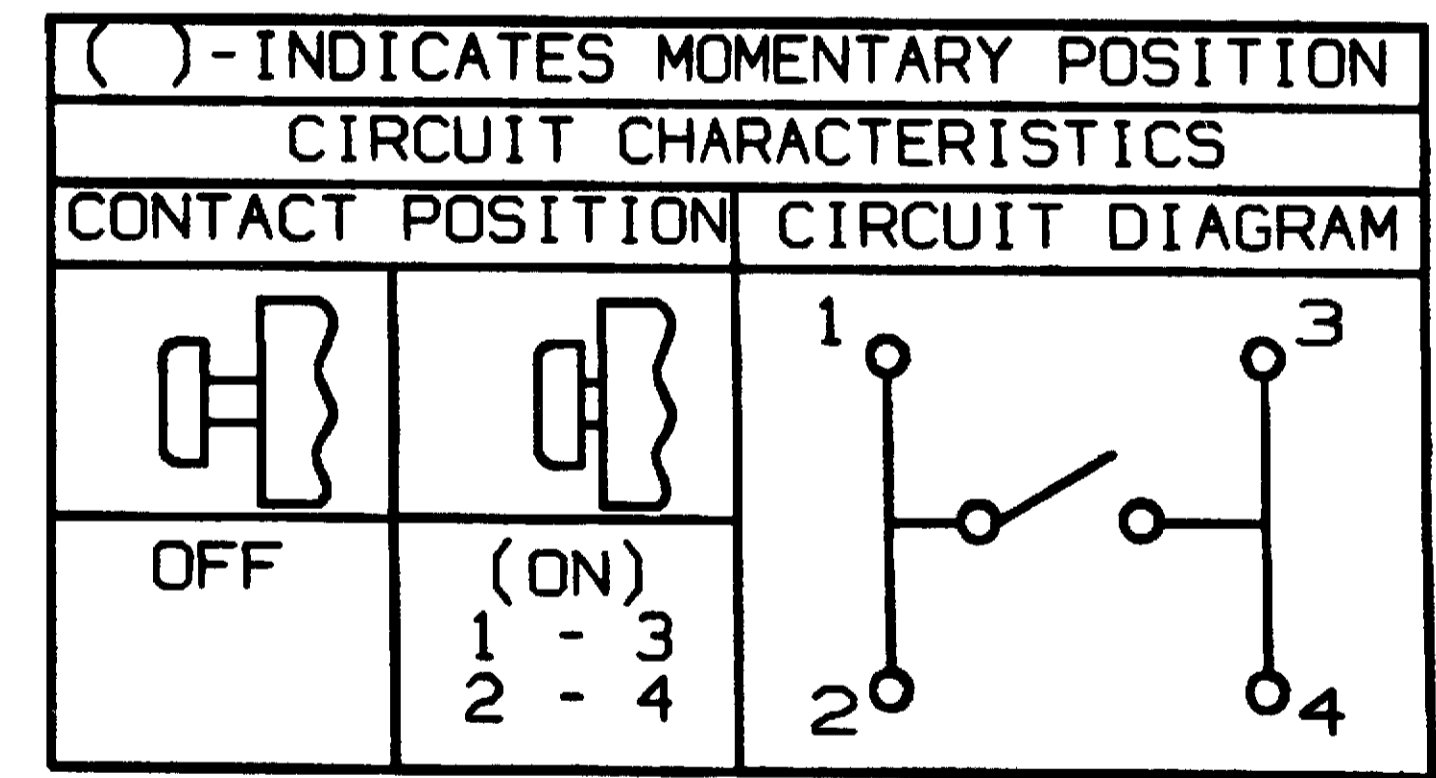
ELECTRICAL:
CONTACT RATING: 50mA @ 12 VDC (RESISTIVE LOAD).
INITIAL CONTACT RESISTANCE: 100 MILLIOHMS MAX.
INSULATION RESISTANCE: 100 MEGOHMS @ 100 VDC MIN.
DIELECTRIC STRENGTH: 250 VAC
LIFE EXPECTANCY: 100,000 CYCLES MIN.

MECHANICAL:
ACTUATION FORCE: 160 ± 50g
ACTUATION TRAVEL: .010" ± .008/- .004.

ENVIRONMENTAL:
OPERATING TEMPERATURE: -4°F TO +158°F (-20°C TO +70°C).
STORAGE TEMPERATURE: -22°F TO +176°F (-30°C TO +80°C).

NOTES:

1. INTERPRET DRAWING PER ANSI Y14.5M-1982.
2. FOR TAPE AND REEL SPECIFICATIONS (SEE PAGE 2)
3. PARTS ARE PACKAGED (ACTUATOR BUTTON FACE DOWN)

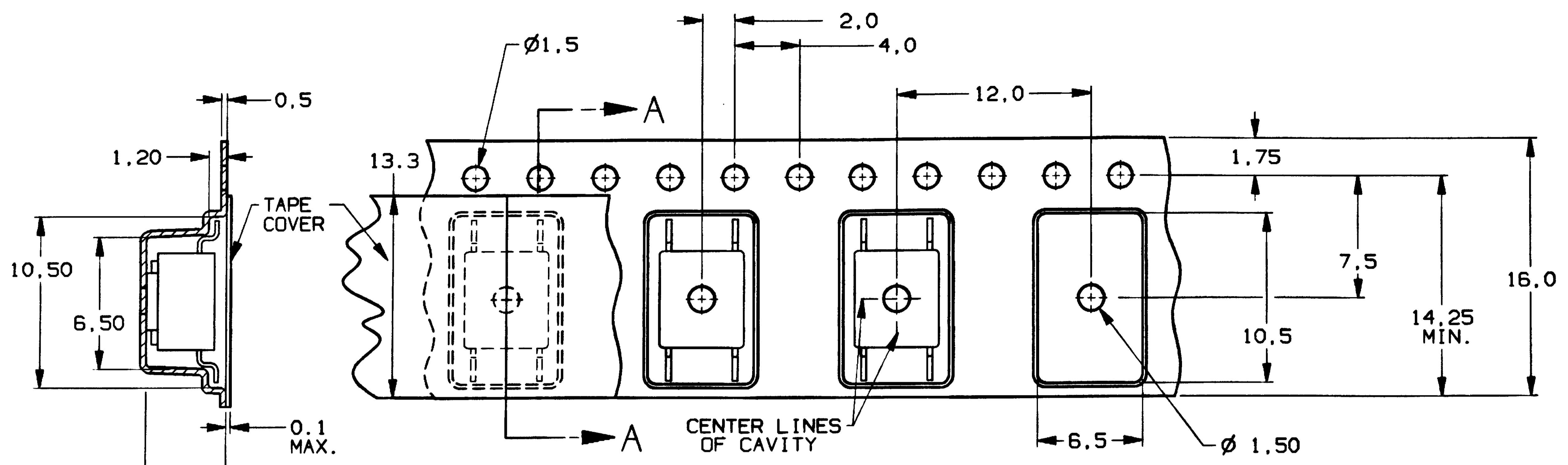


OUTLINE DRAWING
SPECIFICATIONS ARE SUBJECT TO CHANGES WITHOUT NOTICE

 THIRD ANGLE PROJECTION TOLERANCES (EXCEPT AS NOTED) ANGULAR = ±1° DECIMAL .XX = ± DECIMAL .XXX = ±.012 DECIMAL .XXXX = ± AUGAT CONFIDENTIAL This document contains information which is the exclusive property of Augat Inc. Distribution, reproduction or use by others is not permitted without the expressed written consent of Augat Inc.	UNLESS OTHERWISE SPECIFIED DIMENSIONS ARE IN INCHES DO NOT SCALE PRINT FILE NAME: 91504FO DIRECTORY: PSHSWTCH MATERIAL: SEE SPECIFICATIONS FINISH: SEE SPECIFICATIONS	ORIGINAL DATE OF DRAWING: 10-20-97 DRAWN: S.O'CONNELL CHECKED: [] APPROVED: SOC CODE IDENT. NO. 91506 NEXT ASSY: []	DATE: 10-20-97 DATE: [] DATE: 10-20-97 DWG. SIZE C	
	THIS IS A C.A.D. GENERATED DRAWING. DO NOT MAKE MANUAL REVISIONS TO MASTER.	AUGAT INC. 452 JOHN DIETSCH BLVD. ATTLEBORO FALLS, MASS. 02763	TITLE: OUTLINE DRAWING MICRO MINIATURE PUSHBUTTON SWITCH FSM2JSMATR - SPECIAL	DWG. NO. FSM91504F PRODUCT CODE: B18 SCALE: [] SHEET 1 OF 2
	REV O INITIAL RELEASE ESR #A8574 SOC 10-20-97 APP'D: 10/20/97 REVISED RELEASE DOC #107848 SOC 05-02-98 APP'D: sec 5/5/98	AUGAT CONFIDENTIAL This document contains information which is the exclusive property of Augat Inc. Distribution, reproduction or use by others is not permitted without the expressed written consent of Augat Inc.	REV. 1	SHEET 1 OF 2
	CAD080992C	AUGAT CONFIDENTIAL This document contains information which is the exclusive property of Augat Inc. Distribution, reproduction or use by others is not permitted without the expressed written consent of Augat Inc.	REV. 1	SHEET 1 OF 2

CONVERSION CHART	
MM	INCH
0.1	.004
0.2	.008
0.3	.012
0.5	.020
0.6	.024
0.8	.031
1.5	.059
1.75	.069
2.0	.079
2.1	.083
4.0	.157
5.0	.197
6.5	.256
7.5	.295
8.0	.315
10.5	.413
12.0	.472
12.1	.476
13.0	.512
14.25	.561
15.0	.591
16.0	.630
21.0	.827
100	3.94
330	12.99

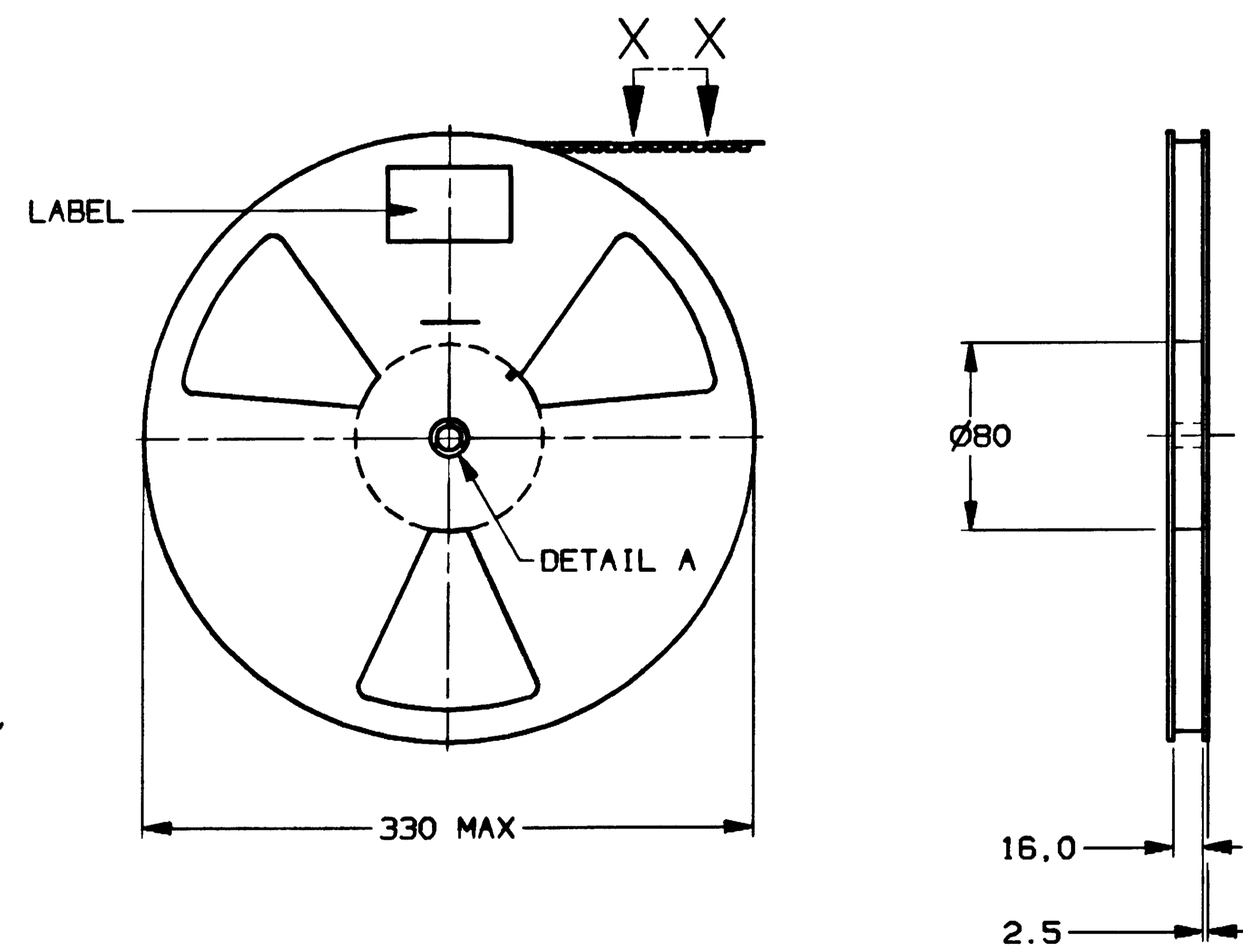
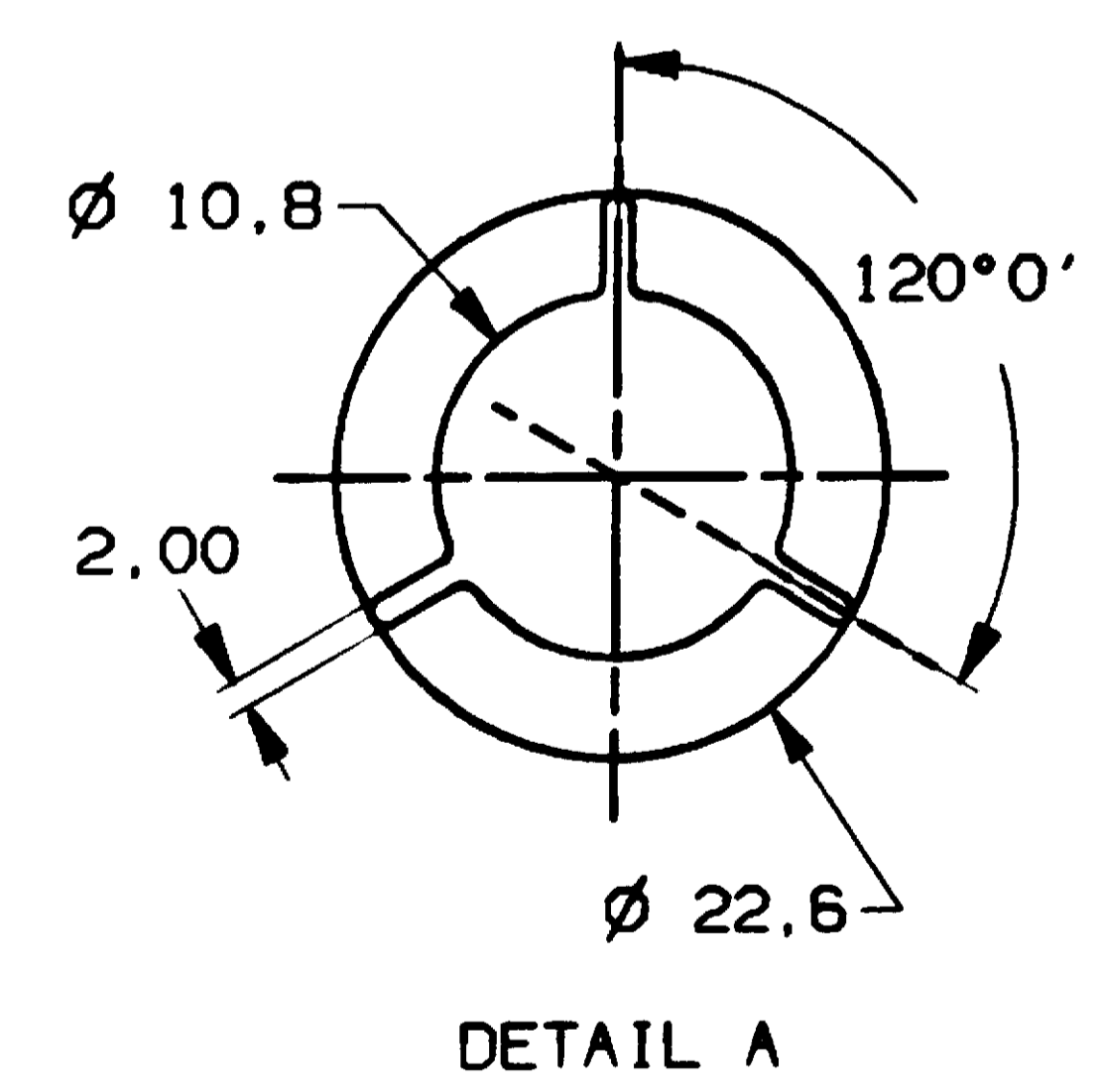
THIS IS A C.A.D. GENERATED DRAWING.
DO NOT MAKE MANUAL REVISIONS TO MASTER.



SECTION A-A
SCALE 4:1

VIEW X-X
SCALE 4:1

Ao =	6.5
Bo =	10.5
Ko =	5.0



- NOTES: UNLESS OTHERWISE SPECIFIED
1. INTERPRET DRAWING PER ASME Y14.5M-1994.
 2. ALL SPROCKET HOLES PITCH CUMULATIVE TOLERANCE ±0.2
 3. CAMBER NOT TO EXCEED 1mm IN. 100mm.
 4. Ao AND Bo MEASURED ON A PLANE 0.3mm ABOVE THE BOTTOM OF THE POCKET.
 5. Ko MEASURED FROM A PLANE ON THE INSIDE BOTTOM OF THE POCKET TO THE TOP SURFACE OF THE CARRIER.
 6. POCKET POSITION RELATIVE TO SPROCKET HOLE MEASURED AS TRUE POSITION OF POCKET, NOT POCKET HOLE.
 7. 1,300 SWITCHES PER REEL, 10 REELS PER INNER BOX, 2 INNER BOXES PER OUTER BOX.
 8. EACH REEL MUST BE MARKED WITH A LABEL AS SHOWN.

PART NO.	BUYER PART NO.
QTY.	INSP'R
LOT NO.	(C,J,D,E)
MADE IN KOREA	 452 JOHN DIETSCH BLVD. NORTH ATTLEBORO, MA 02783 USA TEL: (508) 699-9800 FAX: (508) 699-6717

OUTLINE DRAWING
SPECIFICATIONS ARE SUBJECT TO CHANGES WITHOUT NOTICE

REV	QTY	DATE	DESCRIPTION
0			
1			

INT'L RELEASE
 ESR# A8574
 SOC 10-20-97
 APP'D: 10/20/97
 REVISED RELEASE
 DCO #107848
 SOC 05-02-98
 APP'D: sec 5/5/98

TOLERANCES (EXCEPT AS NOTED) MM X.XX = ±0.25 MM X.XXX = ±0.10 MM X.XXXX = ±0.012		THIRD ANGLE PROJECTION	
AUGAT CONFIDENTIAL This document contains information which is the exclusive property of Augat Inc. Distribution, reproduction or use by others is not permitted without the expressed written consent of Augat Inc.		UNLESS OTHERWISE SPECIFIED DIMENSIONS ARE IN MM DO NOT SCALE PRINT	
FILE NAME:	91504F2	DIRECTORY:	HDMR/PKNG
MATERIAL:	POLYPROPYLENE (CLEAR)		
FINISH:			

ORIGINAL DATE OF DRAWING:	10-20-97
DRAWN:	SOC
DATE:	10-20-97
CHECKED:	
DATE:	
APPROVED:	SOC
DATE:	10-20-97
CODE IDENT. NO.	91506
DWG. SIZE	C
NEXT ASSY:	

AUGAT INC.	
452 JOHN DIETSCH BLVD. ATTLEBORO FALLS, MASS. 02763	
TITLE: PACKAGING, TAPE & REEL FSM2JSMATR - SPECIAL	
DWG. NO. FSM91504F	REV. 1
PRODUCT CODE: B78	
SCALE:	SHEET 2 OF 2