

Distinctive Characteristics

.244" (6.2mm) square body allows compact mounting.

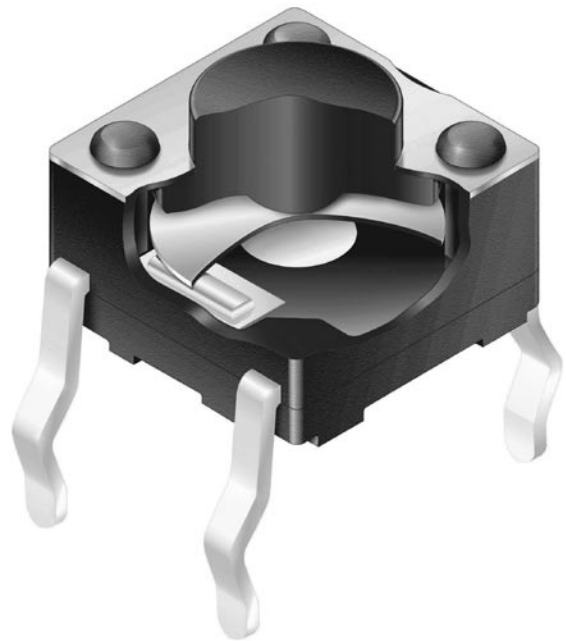
Heat resistant resin body meets lead-free solder processing requirements and UL flammability rating of 94V-0.

Stick-tube packaging allows rapid automated placement of devices.

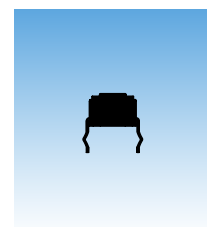
Gold plated contacts available for very low voltage/current applications offer advantages of little or no oxidization or sulfurization and stable contact resistance.

Crimped terminals provide a spring type action which ensures secure mounting and prevents dislodging during automated soldering.

Insert molded terminals lock out flux, solvents, and other contaminants and allow automated soldering.



Actual Size



General Specifications

Electrical Capacity (Resistive Load)

- Power Level (code P2):** 3VA maximum @ 28V DC maximum
(Applicable Range 10mA ~ 125mA @ 0.1V ~ 28V)
 - Logic Level (code P4):** 0.4VA maximum @ 28V AC/DC maximum
(Applicable Range 0.1mA ~ 0.1A @ 20mV ~ 28V)
- Note: See Supplement for further explanation of operating range.

Other Ratings

- Contact Resistance:** 100 milliohms maximum
- Insulation Resistance:** 100 megohms minimum @ 100V DC
- Dielectric Strength:** 250V AC minimum for 1 minute minimum between contacts & between contacts & case
- Mechanical Life:** 500,000 operations minimum
- Electrical Life:** 500,000 operations minimum
- Nominal Operating Force:** 1.60N
- Total Travel:** .008" (0.2mm)

Materials & Finishes

- Actuator:** Glass fiber reinforced polyamide (UL94V-0)
- Case:** Stainless steel
- Base:** Glass fiber reinforced polyamide (UL94V-0)
- Movable Contacts:** Stainless steel with silver or gold plating
- Stationary Contacts:** Brass with silver or gold plating
- Terminals:** Brass with silver or gold plating

Environmental Data

- Operating Temperature Range:** -20°C through +70°C (-4°F through +158°F)
- Humidity:** 90 ~ 95% humidity for 240 hours @ 40°C (104°F)
- Vibration:** 10 ~ 55Hz with peak-to-peak amplitude of 1.5mm traversing the frequency range & returning in 1 minute; 3 right angled directions for 2 hours
- Shock:** 100G (981m/s²) acceleration (tested in 6 right angled directions, with 5 shocks in each direction)

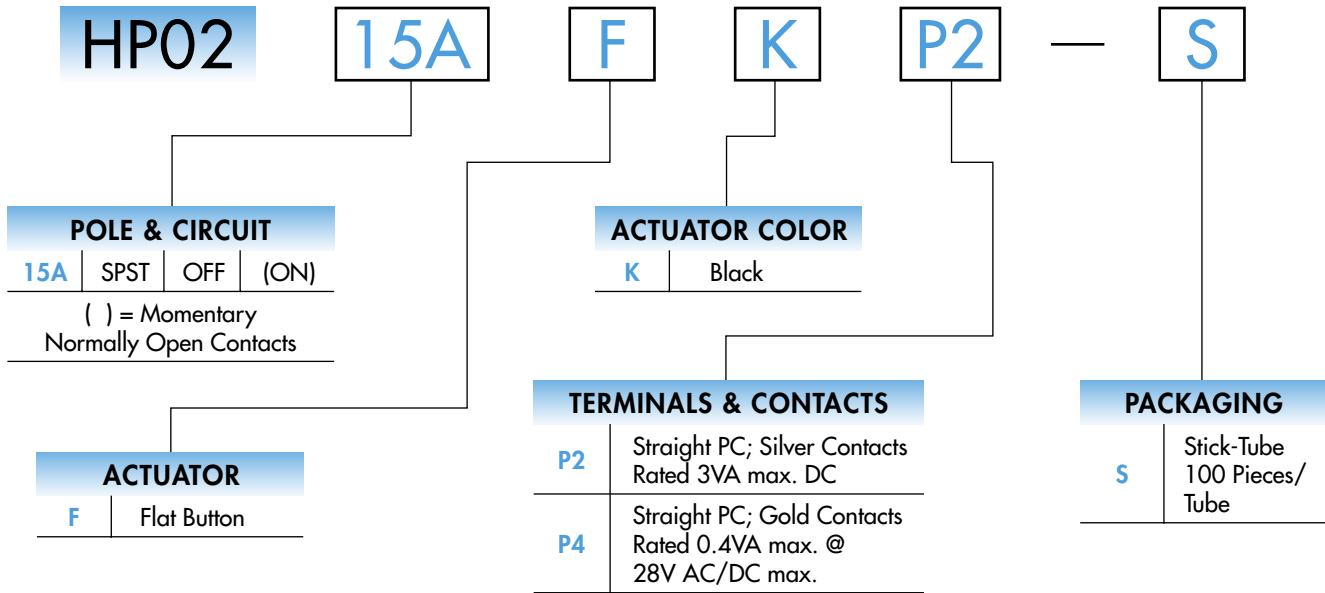
PCB Processing

- Soldering:** Wave Soldering Recommended. See Profile A in Supplement section.
Manual Soldering: See Profile A in Supplement section.
- Cleaning:** These devices are not process sealed. Hand clean locally using alcohol based solution.

Standards & Certifications

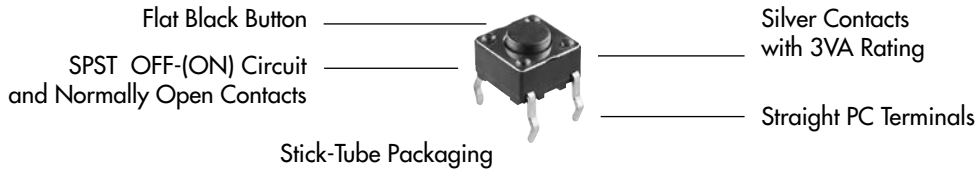
- Flammability Standards:** UL94V-0 actuator and base
- UL Recognition & CSA Certification:** These switches are designed for use in a low-voltage, low-current circuit. When used as intended, the results do not produce hazardous energy.

TYPICAL SWITCH ORDERING EXAMPLE



DESCRIPTION FOR TYPICAL ORDERING EXAMPLE

HP0215AFKP2-S



POLE & CIRCUIT

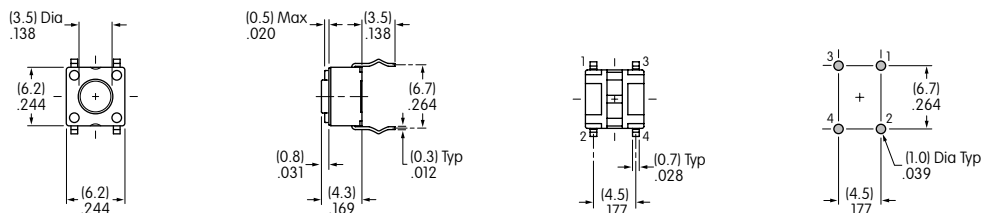
Pole	Model	Actuator Position () = Momentary		Switch Throw & Schematic	Note: Terminal numbers are not actually on the switch.
		Normal	Down		
SP	HP0215A	OFF	(ON)	SPST	

TYPICAL SWITCH DIMENSIONS

Straight PC



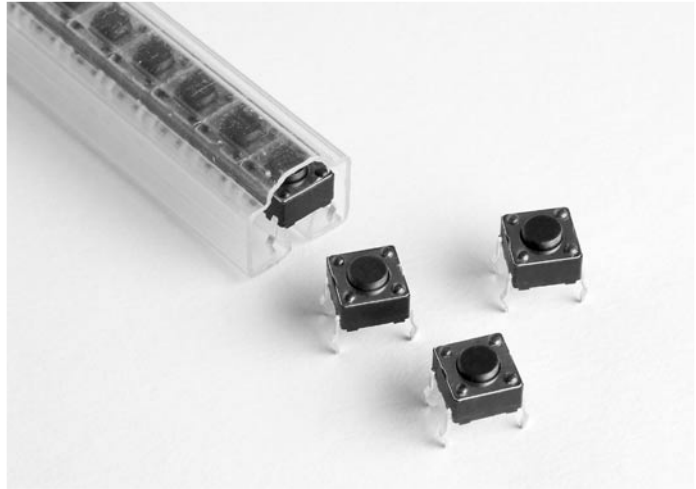
HP0215AFKP2



PACKAGING

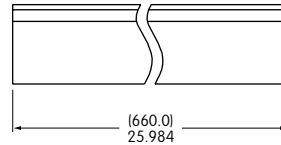
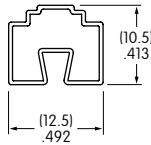
S Stick-Tube

Switches must be ordered in 100-piece increments.



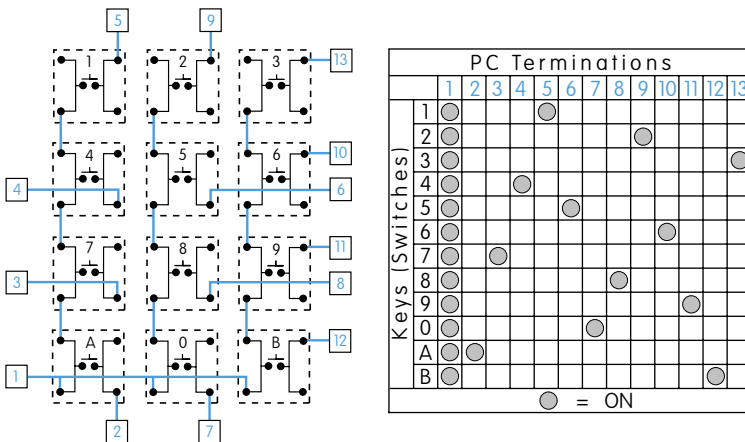
Stick-Tube Dimensions

Each stick-tube contains 100 switches.



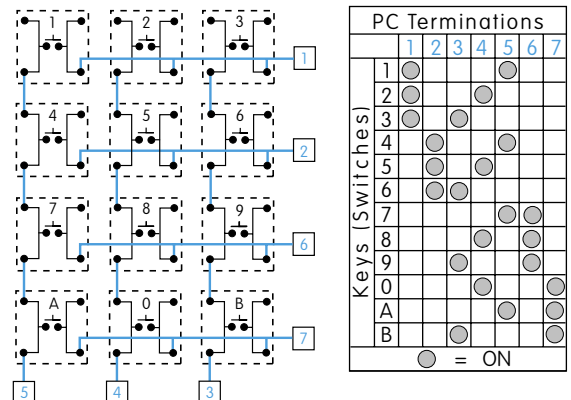
KEYBOARD MATRIX

Common Bus Matrix



Blue = PCB Trace, Black = Switch Circuit

X-Y Matrix



Blue = PCB Trace, Black = Switch Circuit

These single pole, single throw switches can be used in a keyboard matrix and, using strapped terminals, achieve a common bus electrical configuration on a single-sided PC board.

These single pole, single throw switches can be arranged on a single-sided PC board matrix with strapped terminals to achieve an X-Y type electrical interconnection.