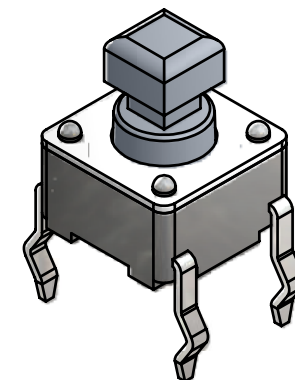
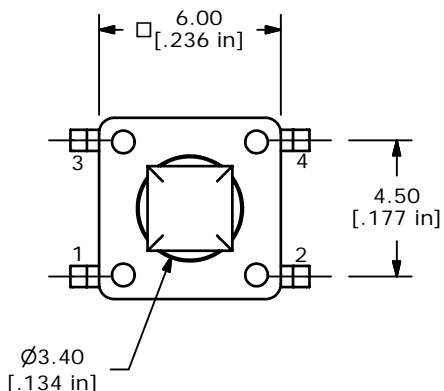
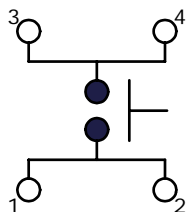


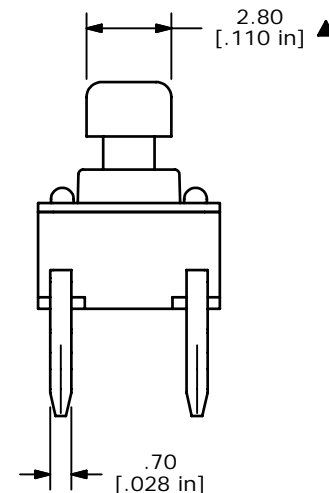
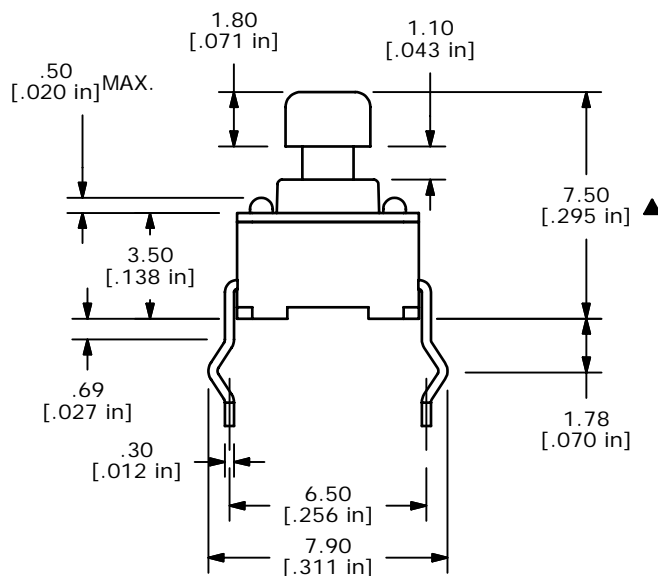
P.C.B. MOUNTING



ISOMETRIC



CIRCUIT: SPST



NOTES:

1. ALL DIMENSIONS IN MM [INCH]
2. TERMINAL NUMBERS FOR REF. ONLY
3. TOLERANCE: X.X=±0.4
X.XX=±0.25
- ▲4. CONTACT MATERIAL: SILVER
5. RATING: 12VDC @ 50mA
6. TRAVEL: 0.25 +0.2/-0.1mm
- ▲7. OPERATING FORCE: 65 GRAMS
8. ELECTRICAL LIFE: 5 MILLION CYCLES
9. CONTACT RESISTANCE: 50mΩ MAX.
10. ▲ DENOTES CRITICAL PARAMETER
11. 2002/95/EC (ROHS) COMPLIANT
- ▲12. PACKAGING: 750 PIECES/POLY BAG

E-SWITCH®

B	16686	UPDATED NOTES	11/21/2006	TN
A	16512	RELEASED FOR PRODUCTION	11/02/2006	TN
REV	PCR NO	DESCRIPTION	DATE	BY

TITLE LL1105SPF065Q				
SCALE	DATE	DR	DWG	REV
4:1	11/21/2006	TN	P010236	B

THE INFORMATION CONTAINED IN THIS DOCUMENT IS PROPRIETARY TO E-SWITCH AND IS NOT TO BE COPIED OR TRANSFERRED