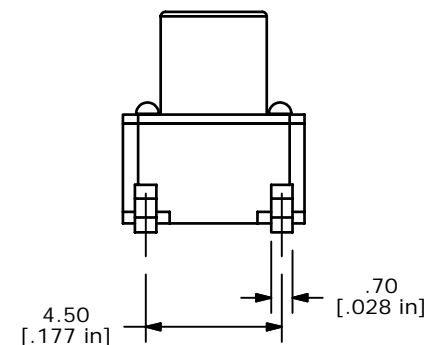
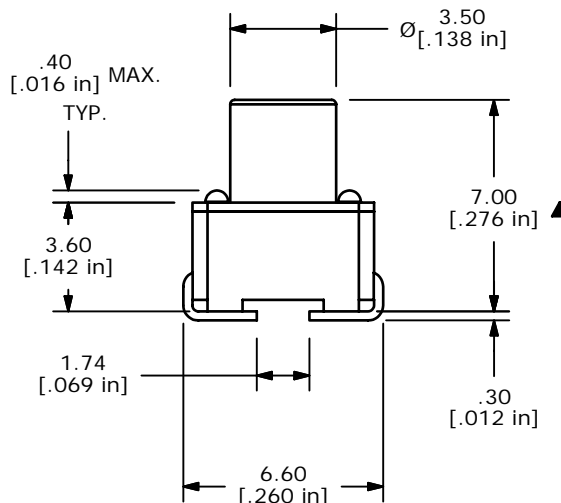


ISOMETRIC



NOTES:

1. ALL DIMENSIONS IN MM
2. GENERAL TOLERANCE: X.X=±0.4
X.XX=±0.25
3. TERM. NOS. FOR REFERENCE ONLY.
4. RATING: 12VDC, 50mA
- ▲ 5. OPERATING FORCE: 65 GRAMS
6. TRAVEL: 0.25mm ±0.1
7. CONTACT RESISTANCE: 50 MILLI OHMS MAX. (INITIAL)
8. LIFE: 5 MILLION CYCLES
- ▲ 9. SILVER CONTACTS
- ▲ 10. PACKAGE: POLYBAG/750 PIECES PER
11. ▲ DENOTES CRITICAL PARAMETER
12. 2002/95/EC (ROHS) COMPLIANT

C	16947	FIXED PACKAGE	1/31/07	TN
B	16935	ADDED 3.50 DIA DIM.	1/29/07	TN
A	16548	RELEASED FOR PRODUCTION	11/02/2006	TN
REV	PCR NO	DESCRIPTION	DATE	BY

THE INFORMATION CONTAINED IN THIS DOCUMENT IS PROPRIETARY TO E-SWITCH AND IS NOT TO BE COPIED OR TRANSFERRED



TITLE LL3301FF065QJ

SCALE	DATE	DR	DWG	REV
4:1	1/31/2007	TN	P010456	C