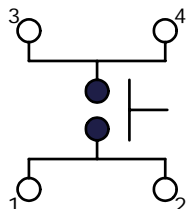


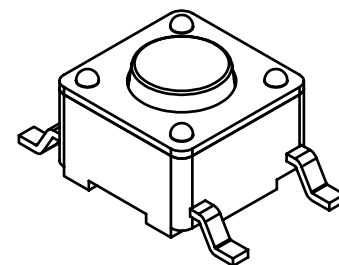
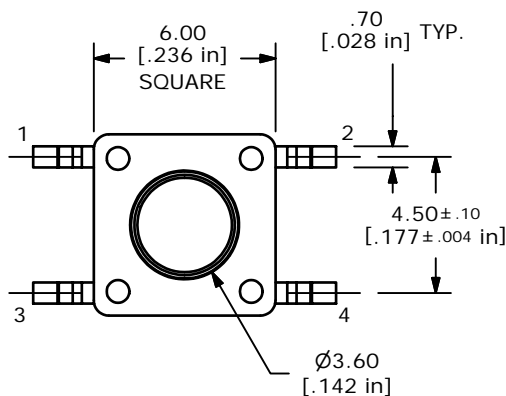
P.C.B. LAYOUT



CIRCUIT: SPST

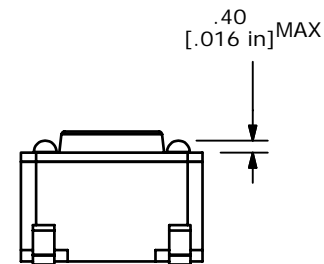
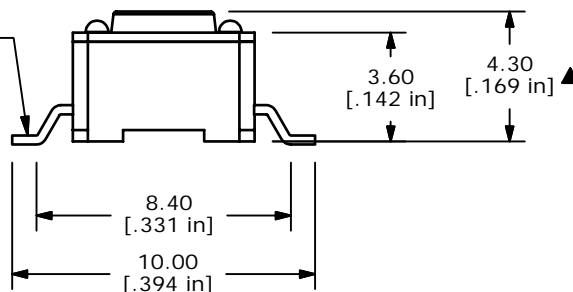
NOTES:

1. ALL DIMENSIONS IN MM [INCH]
2. GENERAL TOLERANCE: x.xx ± 0.4  
x.xx ± 0.25
3. TERM. NOS. FOR REF. ONLY
4. RATING: 50mA, @12V DC
5. TRAVEL: 0.25±0.1mm
6. CONTACT RESISTANCE: 50m ohms max initial.MOS & TTC COMPATIBLE
7. ELECTRICAL LIFE: 5,000,000 CYCLES MIN.
8. INSULTION RESISTANCE: 100M ohms min.
9. DIELECTRIC STRENGTH: 250VA
10. OPERATING TEMP.: -30°C to 85°C
11. ▲ DENOTES CRITICAL PARAMETER
- ▲ 12. CONTACTS: SILVER PLATED
- ▲ 13. OPENING FORCE: 65±20 GRAMS
14. PACKAGING: TAPE AND REEL, 1200 PIECES PER REEL



ISOMETRIC

TERMINALS TO BE COPLANER WITHIN 0.10mm



**E-SWITCH®**

TITLE LL3301NF065QG

A	15974	NEW PART RELEASE	4/19/06	CT
REV	PCR NO	DESCRIPTION	DATE	BY

THE INFORMATION CONTAINED IN THIS DOCUMENT IS PROPRIETARY TO E-SWITCH AND IS NOT TO BE COPIED OR TRANSFERRED

SCALE	DATE	DR	DWG	REV
4:1	04/19/06	CT	P090002	A