

BOURNS®

Features

- Through-hole and SMD styles available
- Available sharp click feel with a positive tactile feedback
- Ultra-miniature and lightweight structure suitable for high density mounting
- Designed for washing after soldering

Applications

- Stereos
- Radios
- Television & decoder boxes
- GPS receivers

ST(H,M,J)W Series Sealed Tact Switch

Electrical Characteristics

Electrical Life

.....500,000 cycles min. for 180g
 100,000 cycles min. for 160G, 260g
 RatingDC 12V, 50mA
 Contact Resistance.....100 mohms max.
 Insulation Resistance 100Mohms min.,
 DC 500V min.

Dielectric Strength

.....AC 250V for 1 minute
 Contact Arrangement...1 pole 1 position

Environmental Characteristics

Mechanical Life100,000 cycles min.
 Operation Force160g, 260g
 Tolerance±50g

Stop Strength ..Place the switch vertical,
 a static load of 3kg shall be
 applied in the direction of actuator
 operation for a period of 15 seconds

Stroke0.25mm (+0.2mm, -0.1mm)
 Operating Temperature Range
-25°C to +70°C

Storage Temperature Range
-30°C to +80°C

Vibration TestMIL-STD-202F,
 Method 201A

Frequency10-55-10Hz/1minute
 Directions.....X,Y,Z 3 mutually per
 pendicular directions

Time.....2 hours each direction,
 high reliability

Shock TestMIL-STD-202F,
 Method 213B, Condition A

Gravity50g (peak value), 11msec.
 Directions/Time.....6 sides and 3 times
 in each direction

Physical Characteristics

Cover MaterialsStainless steel
 Base Materials.....Thermoplastic LCP
 UL94V-0 black

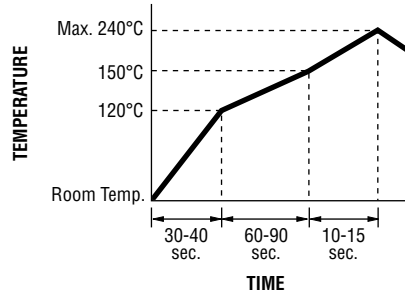
Actuator MaterialsThermoplastic
 Nylon UL94V-0 (680, 690)

Color.....Brown (Silver 680 type)

Contact Disc. MaterialsPhosphor
 bronze with gold cladding

Terminal MaterialsBrass with silver
 cladding

REFLOW SOLDERING PROFILE (SMD MODEL)



SOLDERING PROCESS

Hand Soldering

Soldering iron of 30W or less,
 controlled at 320°C for approx. 2
 seconds while applying solder.

Reflow Soldering

Peak temperature or reflow oven
 should be set to 240°C max.

How to Order

STM W - 6 60 - N TR

Model _____
 STM = SMD "G" style
 STH = Through-hole
 STJ = SMD J-Hook

Product Type
 W = Washable

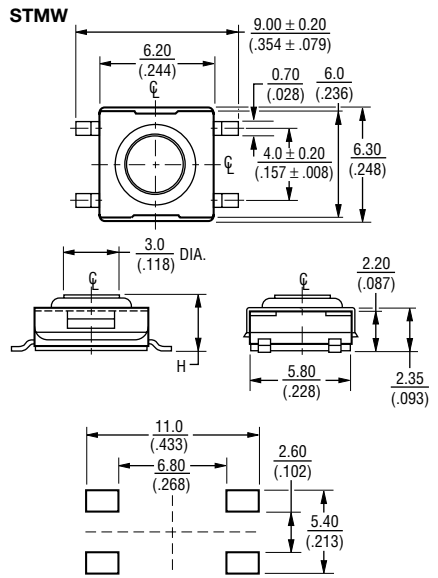
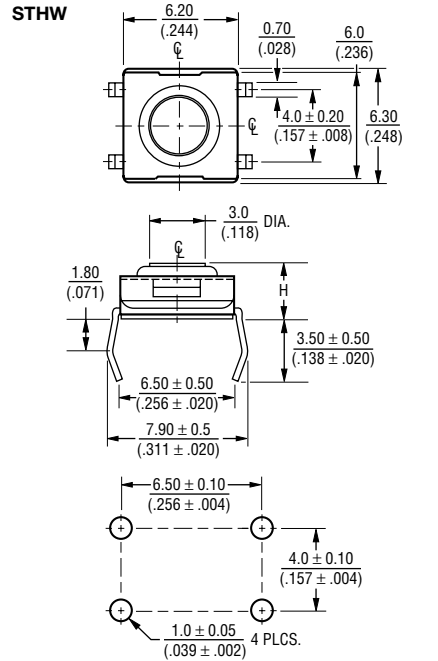
Size _____
 6 = 6mm

Height _____
 60 = $\frac{3.1}{(0.12)}$ (N)
 80 = $\frac{2.30}{(0.09)}$ (S)
 90 = $\frac{3.7}{(0.15)}$ (N, R)

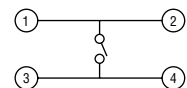
Actuating Force
 S = 160g (Silver)
 N = 160g (Brown)
 R = 260g (Red)

Packaging Option
 (Type M, J only)
 TR = Embossed tape
 660, 680 = 2000 pcs.
 690 = 1900 pcs.

Product Dimensions



CIRCUIT DIAGRAM



DIMENSIONS: $\frac{MM}{(IN)}$

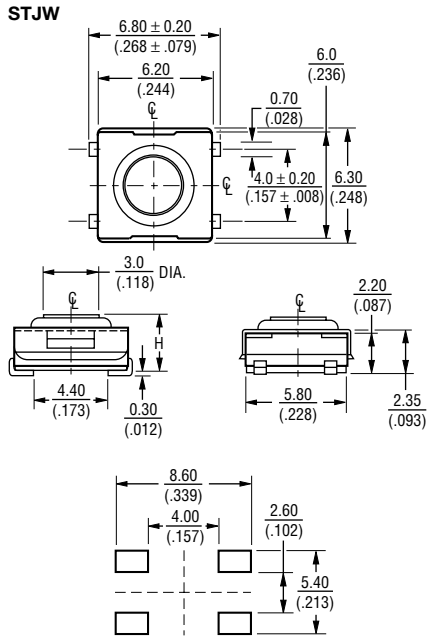
Additional Features

- Insert molding in the contact with special treatment prevents flux buildup during soldering and permits autodipping

ST(H,M,J)W Series Sealed Tact Switch

BOURNS®

Product Dimensions



Packaging Specifications

STMW-660/680/690(TR)
STJW-660/680/690(TR)

