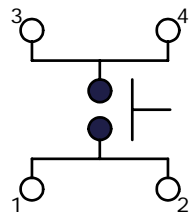
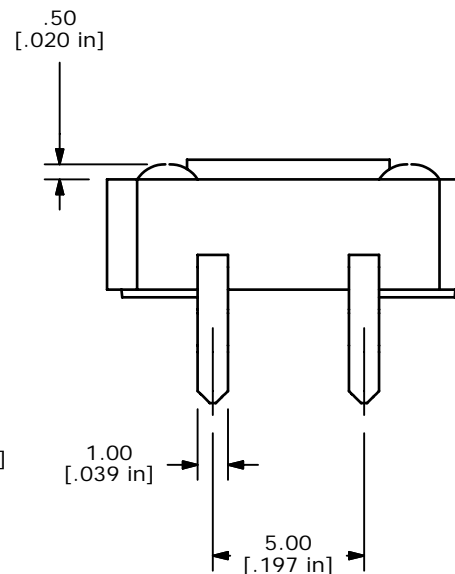
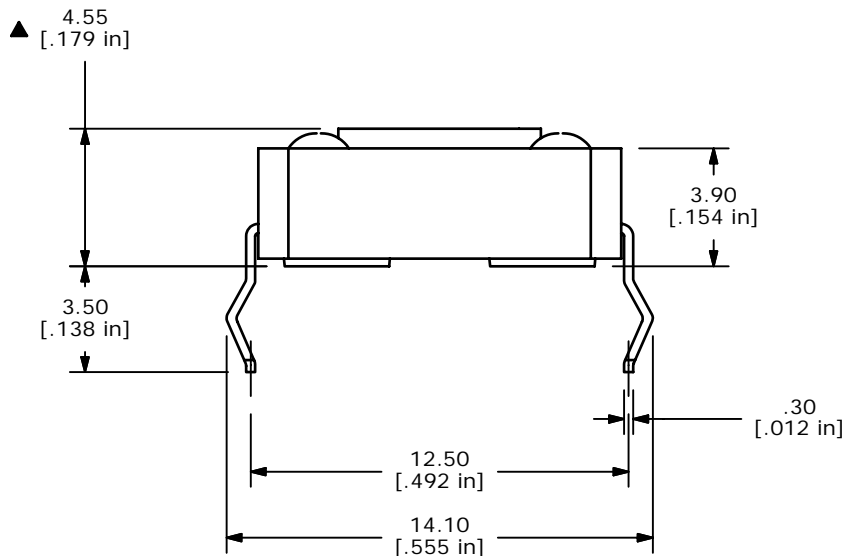
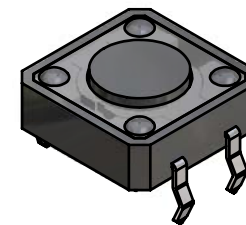
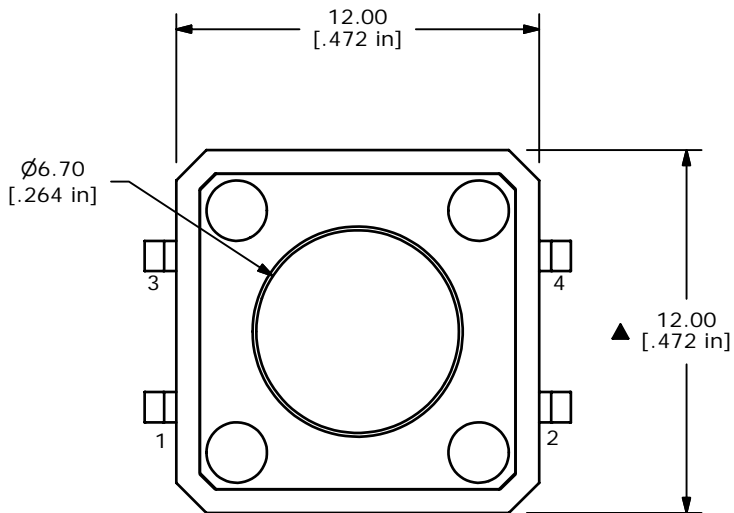


PCB MOUNTING



CIRCUIT: SPST



NOTES:

1. ALL DIMENSIONS IN MM [INCH]
2. GENERAL TOLERANCE: X.X=±0.4
X.XX=±0.25
3. TERMINAL NUMBERS FOR REF. ONLY
- ▲4. RATING: 50mA @ 12VDC
5. TRAVEL: 0.30±0.15mm
6. OPERATING FORCE: 260±50mN
7. CONTACT RESISTANCE: 100mΩ MAX.
8. ELECTRICAL LIFE: 100,000 CYCLES
9. ▲DENOTES CRITICAL PARAMETER
10. 2002/95/EC (ROHS) COMPLIANT

E-SWITCH®

TITLE TL1100BF260Q

A	15878	RELEASED FOR PRODUCTION	3/23/06	PH
REV	PCR NO	DESCRIPTION	DATE	BY

SCALE	DATE	DR	DWG	REV
2:1	3/23/2006	PH	P001114	A

THE INFORMATION CONTAINED IN THIS DOCUMENT IS PROPRIETARY TO E-SWITCH AND IS NOT TO BE COPIED OR TRANSFERRED