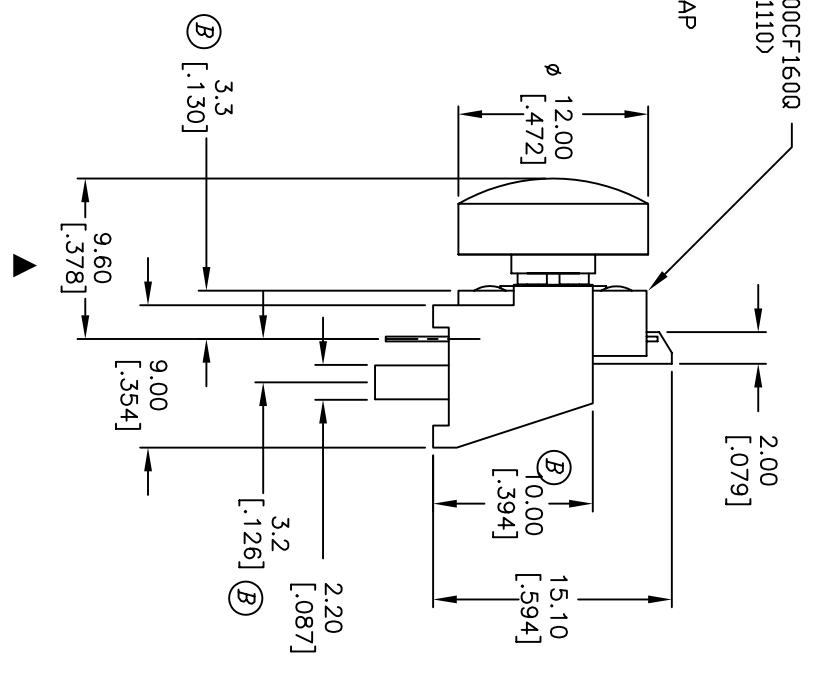
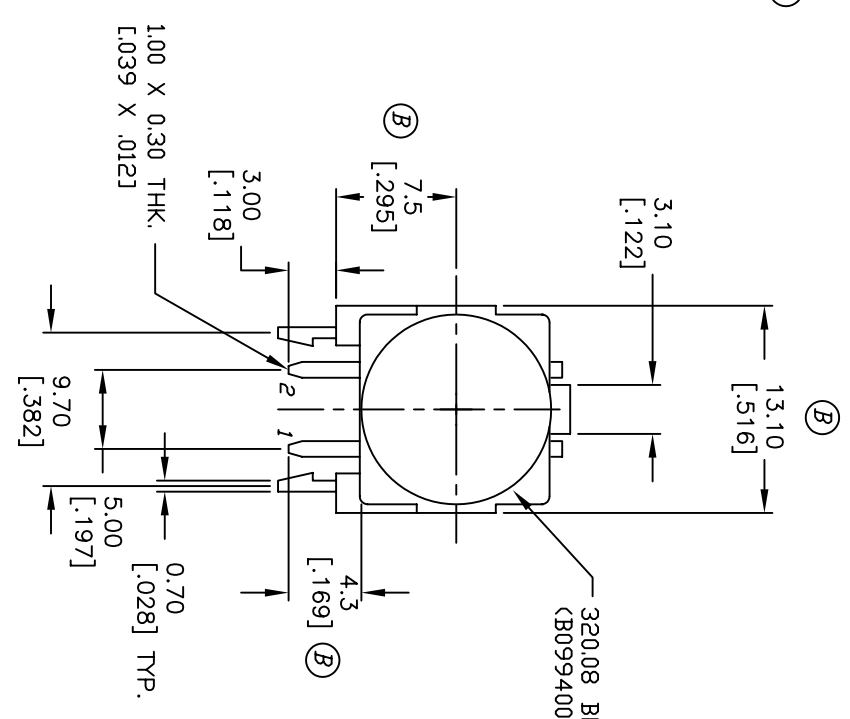
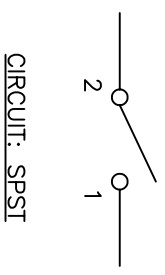


RECOMMENDED P.C.B. LAYOUT



NOTES:

1. ALL DIMENSIONS IN MM [INCH]
2. GENERAL TOLERANCE: X.X=±0.4 X.XX=±0.25
3. TERM. NOS. FOR REF. ONLY
4. RATING: 50mA, @12V DC
5. CONTACT MATERIAL: SILVER
5. TRAVEL: 0.30±0.15mm
6. OPERATING FORCE: 160±50gf
7. CONTACT RESISTANCE: 100 MILLIO Ω Max.
8. ELECTRICAL LIFE: 80,000 CYCLES MIN. [B]
9. MAJOR DIMENSIONS

B	15374	CHANGES NOTED WITH [B]	10/10/05	PH
A	15363	RELEASED FOR PRODUCTION	10/6/05	PH
REV.	ECN No.	DESCRIPTION	DATE	CHKD

TITLE	SCALE	DATE	DR	DWG	REV
TL 1100C F160 Q/08 BLK	2:1	10/6/05	PH	XD0038A	B

THE INFORMATION CONTAINED IN THIS DOCUMENT IS PROPRIETARY TO E-SWITCH AND IS NOT TO BE COPIED OR TRANSFERRED

