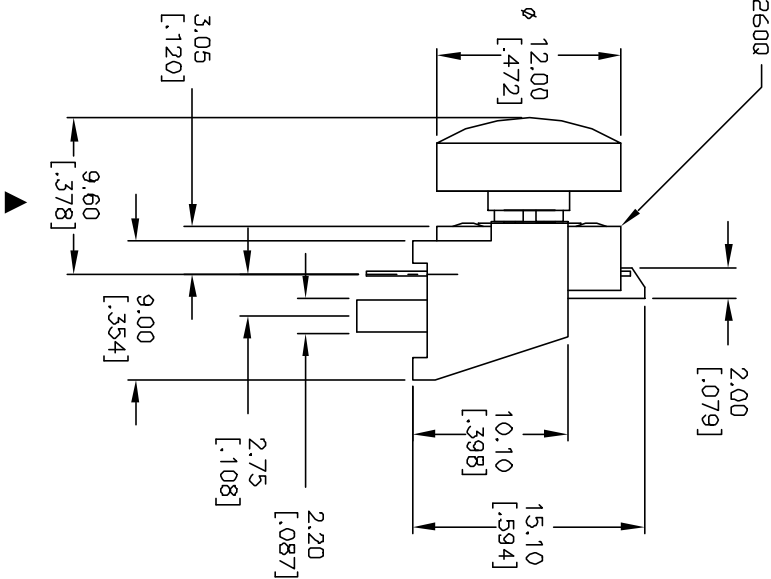
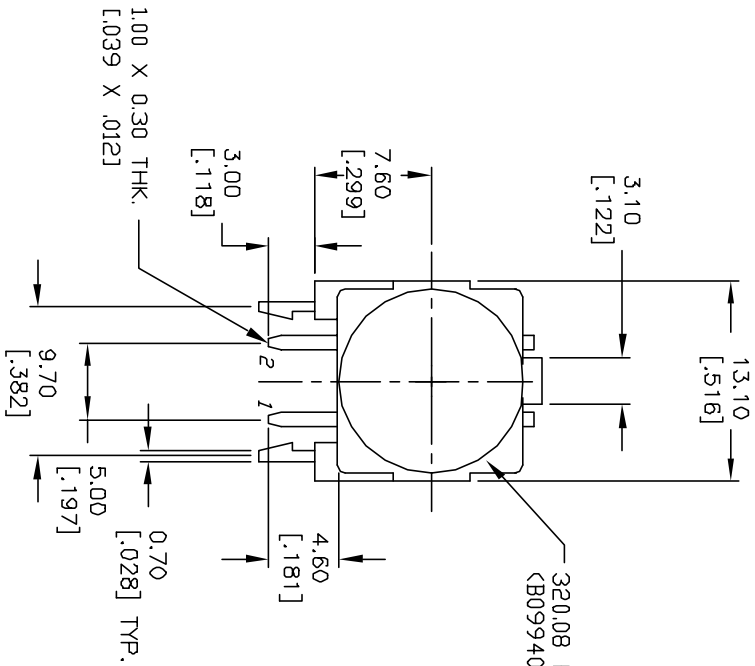
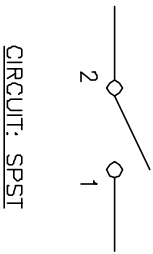


RECOMMENDED P.C.B. LAYOUT



NOTES:

1. ALL DIMENSIONS IN MM [INCH]
2. GENERAL TOLERANCE: X.X=±0.4 X.XX=±0.25
3. TERM. NOS. FOR REF. ONLY
4. RATING: 50mA, @12V DC
5. CONTACT MATERIAL: SILVER
5. TRAVEL: 0.30±0.15mm
6. OPERATING FORCE: 260±50gf
7. CONTACT RESISTANCE: 100 MILLIOHMS Max.
8. ELECTRICAL LIFE: 100,000 CYCLES MIN.
9. MAJOR DIMENSIONS



REV. A		ECN No. 11790		RELEASED FOR PRODUCTION		DATE 10/25/01		CHKD CJC		TITLE TL 1100C F260 Q/320.08 RED	
REV. A		ECN No. 11790		DESCRIPTION		DATE 10/25/01		CHKD CJC		SCALE 2:1	
REV. A		ECN No. 11790		DESCRIPTION		DATE 10/25/01		CHKD CJC		SCALE 2:1	
REV. A		ECN No. 11790		DESCRIPTION		DATE 10/25/01		CHKD CJC		SCALE 2:1	

THE INFORMATION CONTAINED IN THIS DOCUMENT IS PROPRIETARY TO E-SWITCH AND IS NOT TO BE COPIED OR TRANSFERRED