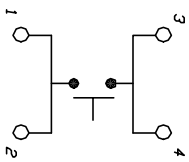
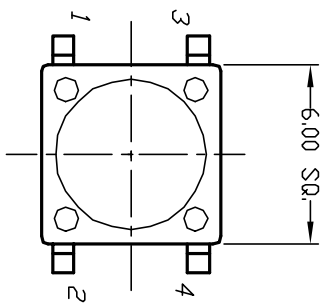
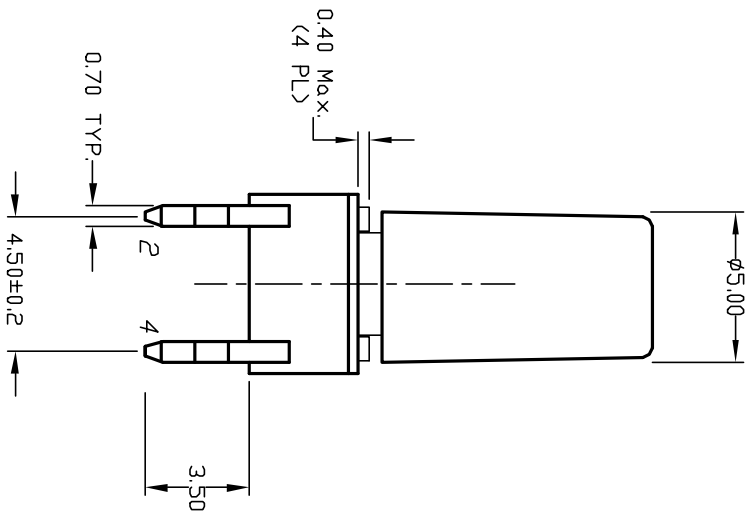
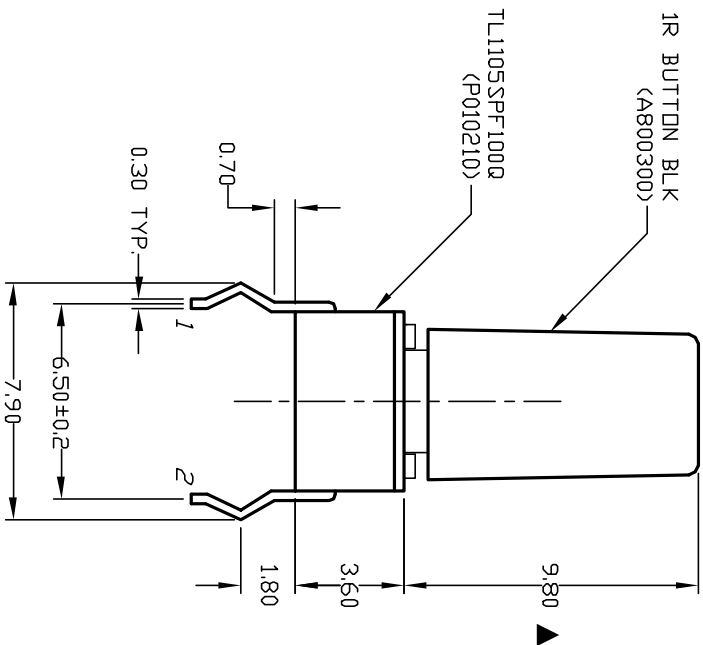


RECOMMENDED P.C.B. LAYOUT



CIRCUIT: SPST
CONTACT CONFIGURATION



NOTES:

1. ALL DIMENSIONS IN MM
2. GENERAL TOLERANCE: X.X=±0.4
X.XX=±0.25
3. TERM. NOS. FOR REF. ONLY
4. RATING: 50mA, @12V DC
5. TRAVEL: 0.25±0.1mm
6. OPERATING FORCE: 100±50gf
7. CONTACT RESISTANCE: 100 milliohms Max.
8. ELECTRICAL LIFE: 100,000 CYCLES MIN.
9. DESIGNATE MAJOR DIMENSIONS

REV. A		RELEASED FOR PRODUCTION		2/19/01		CJB		TITLE	
ECN NO.		DESCRIPTION		DATE		CHKD		SCALE	
11255		THE INFORMATION CONTAINED IN THIS DOCUMENT IS PROPRIETARY TO E-SWITCH AND IS NOT TO BE COPIED OR TRANSMITTED		2/19/01		CJB		4:1	
								DATE	
								2/19/01	
								DR	
								CJB	
								DWG	
								XP02144	
								REV	
								A	

E-SWITCH®

TL 1105 SP F100 Q (1R/BLK)