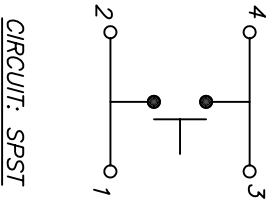
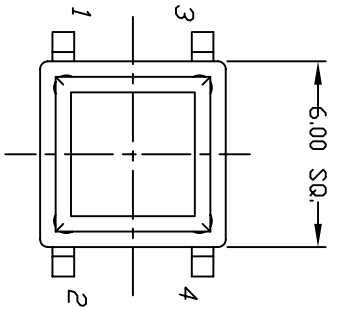
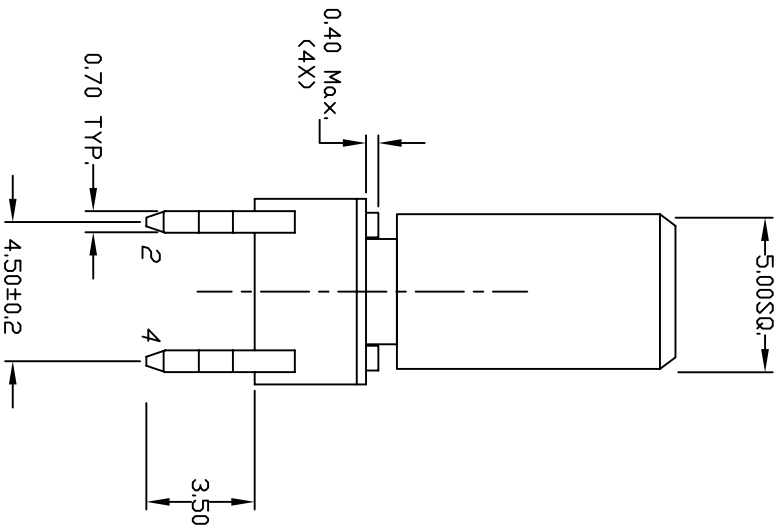
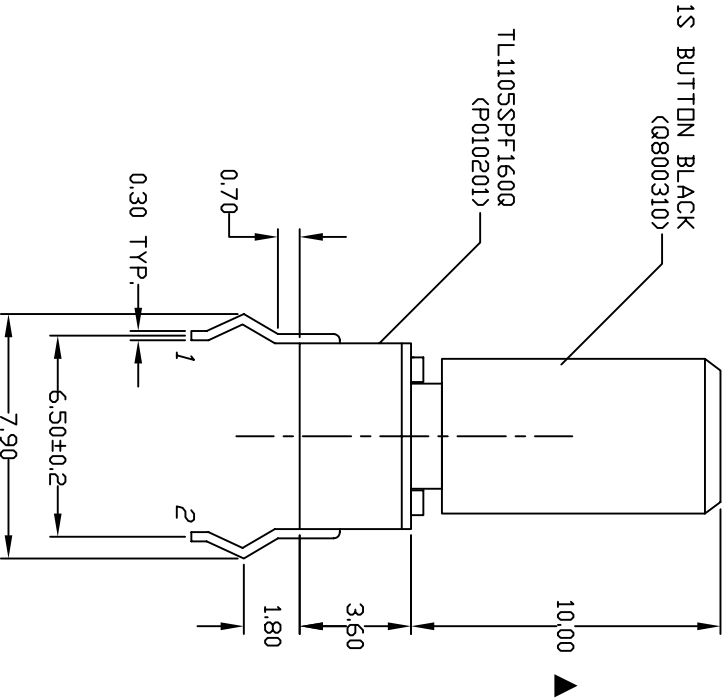


RECOMMENDED P.C.B. LAYOUT



NOTES:

1. ALL DIMENSIONS IN MM
2. GENERAL TOLERANCE: X.X=±0.4  
X.XX=±0.25
3. TERM. NOS. FOR REF. ONLY
4. RATING: 50mA, @12V DC
5. TRAVEL: 0.25±0.1mm
6. OPERATING FORCE: 160±50gf
7. CONTACT RESISTANCE: 100 milli-OHMS Max.
8. ELECTRICAL LIFE: 100,000 CYCLES MIN.
9. DESIGNATE MAJOR DIMENSIONS



**E-SWITCH®**

B	15390	UPDATED CAP TO NEW SUPPLIER	10/14/05	PH
A	11777	RELEASED FOR PRODUCTION	10/23/01	CJB
REV.	ECN No.	DESCRIPTION	DATE	CHKD

TITLE		TL1105 SP F160 Q (1S/BLK)		
SCALE	DATE	DR	DWG	REV
4:1	10/23/01	CJB	XP0221A	B

THE INFORMATION CONTAINED IN THIS DOCUMENT IS PROPRIETARY TO E-SWITCH AND IS NOT TO BE COPIED OR TRANSFERRED