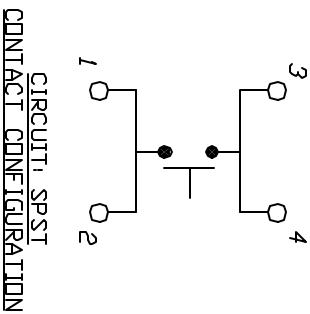
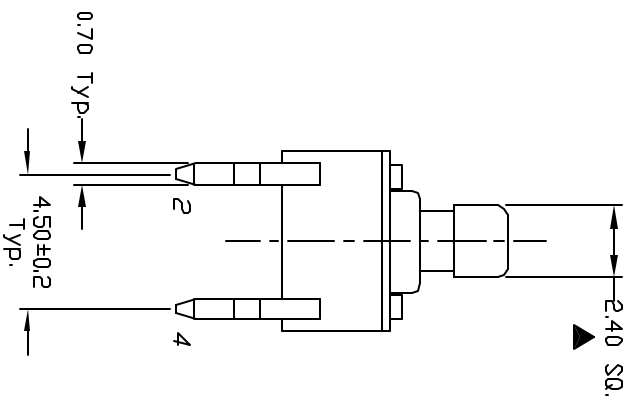
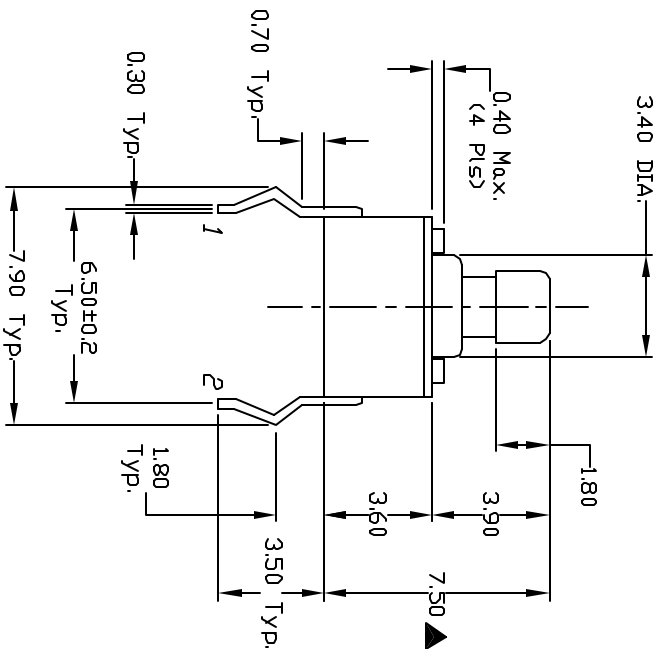


RECOMMEND P.C.B. LAYOUT

NOTES:

1. ALL DIMENSIONS IN MM
2. GENERAL TOLERANCE: 0.0=±0.4
0.00=±0.25
3. TERM. NOS. FOR REF. ONLY
4. RATING: 50mA, @12V DC
5. TRAVEL: 0.25±0.1mm
6. OPERATING FORCE: 100±50gf
7. CONTACT RESISTANCE: 100 milliohms Max.
8. ELECTRICAL LIFE: 100,000 CYCLES MIN.
9. DESIGNATE MAJOR DIMENSIONS
10. MATERIAL: HOUSING: NYLON 6/6 UL94-HB
STEM: BLK. PPS. UL94-V0



| | | | | |
|------|---------|-------------------------|------|------|
| REV. | ECN No. | DESCRIPTION | DATE | CHKD |
| A | 10518 | RELEASED FOR PRODUCTION | | |

| | | | | | |
|------------------|-------|--------|----|---------|-----|
| TITLE | SCALE | DATE | DR | DWG | REV |
| TL 1105 T F100 Q | 4:1 | 2/1/00 | MM | P010211 | A |

E-SWITCH®

THE INFORMATION CONTAINED IN THIS DOCUMENT IS PROPRIETARY TO E-SWITCH AND IS NOT TO BE COPIED OR TRANSMITTED