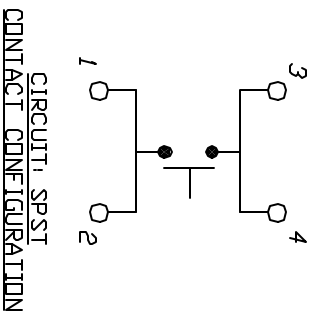
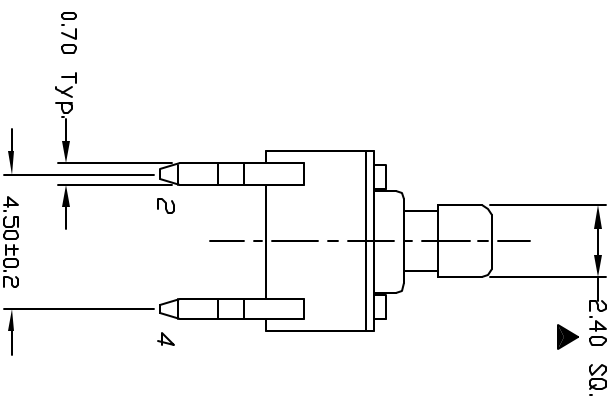
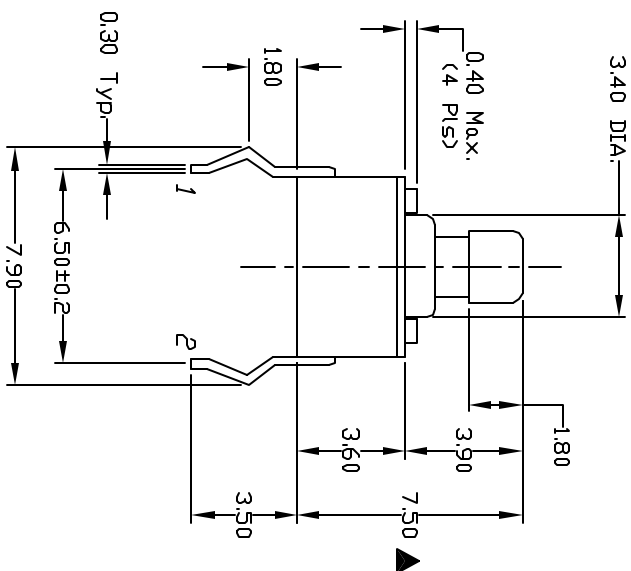


RECOMMEND P.C.B. LAYOUT

- NOTES:
1. ALL DIMENSIONS IN MM
  2. GENERAL TOLERANCE: 0.0=±0.4  
0.00=±0.25
  3. TERM. NOS. FOR REF. ONLY
  4. RATING: 50mA, @12V DC
  5. TRAVEL: 0.25±0.1mm
  6. OPERATING FORCE: 250±50gf
  7. CONTACT RESISTANCE: 100 milliohms Max.
  8. ELECTRICAL LIFE: 100,000 CYCLES MIN.
  9. DESIGNATE MAJOR DIMENSIONS



REV.	ECN No.	DESCRIPTION	DATE	CHKD
A	10035	RELEASED FOR PRODUCTION		
THE INFORMATION CONTAINED IN THIS DOCUMENT IS PROPRIETARY TO E-SWITCH AND IS NOT TO BE COPIED OR TRANSMITTED				

TITLE		SCALE			DATE	DR	DWG	REV
TL 1105 T F250 Q		4:1			12/1/98	MM	P010203	A
<b>E-SWITCH®</b>								