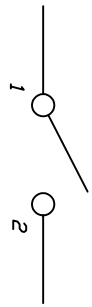
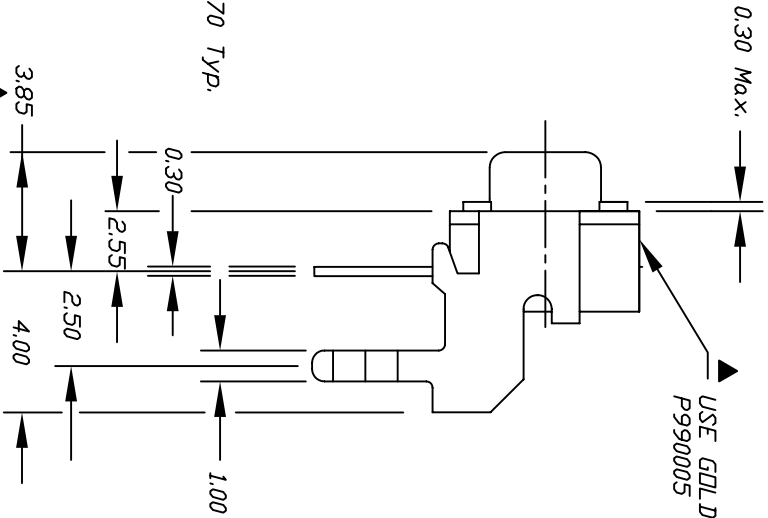
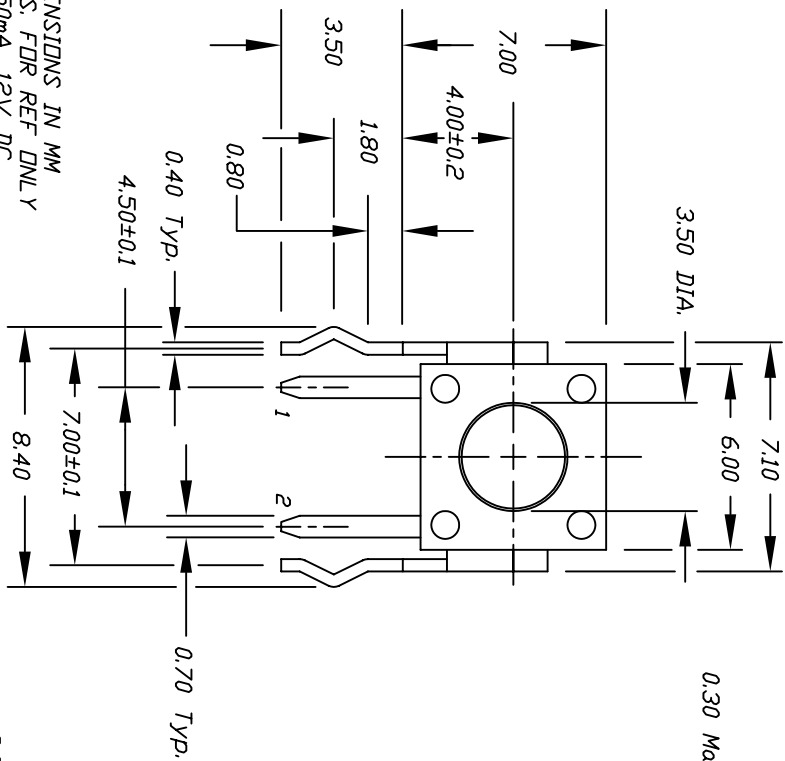


RECOMMEND P.C.B. LAYOUT



CIRCUIT: SPST
CONTACT CONFIGURATION

- NOTES:
1. ALL DIMENSIONS IN MM
 2. TERM. NOS. FOR REF DNLY
 3. RATING: 50mA, 12V DC
 4. TRAVEL: 0.25±0.1mm
 5. OPERATING FORCE: 160±50gf
 6. CONTACT RESISTANCE: 100mOHMS MAX.
 7. DIELECTRIC STRENGTH: 250V RMS MIN
 8. ELECTRICAL LIFE: 100,000 CYCLES MIN
 9. ▲ DENOTES CRITICAL PARAMETER
 10. 2002/95/EC (RHS) COMPLIANT

B	ADD GOLD DOME NOTE	6/5/06	CT
A	RELEASED FOR PRODUCTION		
REV.	DESCRIPTION	DATE	CHKD

TOLERANCES	
0.0	±0.4
0.00	±0.25

TITLE		SCALE	DATE	DR	DWG	REV
TL 1105V F160 R		4:1	12/1/97	MM	P010323	B
E-SWITCH®						

THE INFORMATION CONTAINED IN THIS DOCUMENT IS PROPRIETARY TO E-SWITCH AND IS NOT TO BE COPIED OR TRANSFERRED