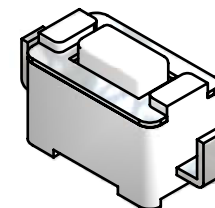
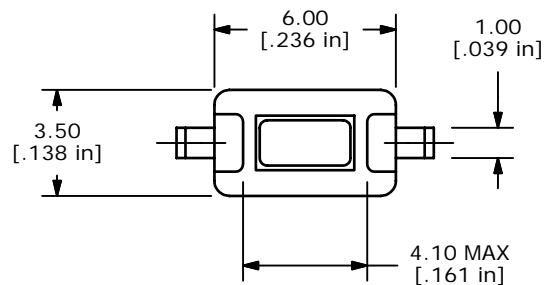
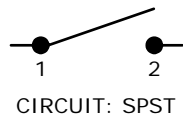


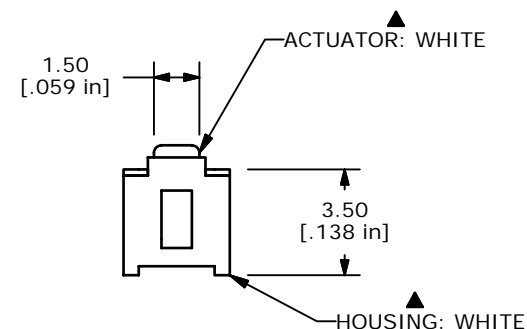
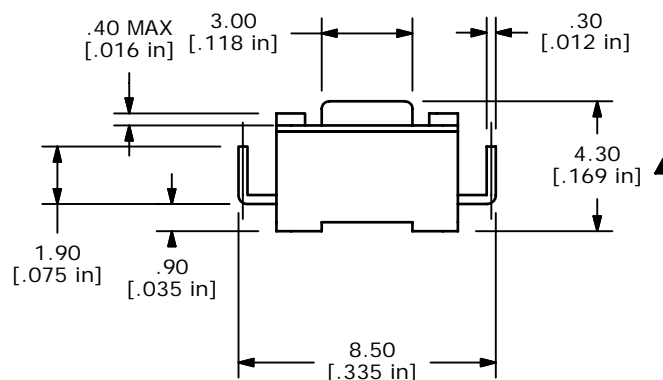
RECOMMENDED P.C.B. LAYOUT



ISOMETRIC



CIRCUIT: SPST



NOTES:

1. ALL DIMENSIONS IN MM [INCH]
2. GENERAL TOLERANCE: X.X=±0.4
X.XX=±0.25
3. TERM. NOS. FOR REFERENCE ONLY.
4. RATING: 12VDC, 50mA
- ▲5. OPERATING FORCE: 260 ± 50 gms
6. TRAVEL: 0.25 ± .1mm
7. CONTACT RESISTANCE: 100 mΩ MAX. (INITIAL)
8. MECHANICAL/ELECTRICAL LIFE 30,000 CYCLES MIN.
- ▲9. SILVER CONTACTS
- ▲10. PACKAGE: BULK 1,000 PER BAG
11. ▲DENOTES CRITICAL PARAMETER
12. 2002/95/EC (ROHS) COMPLIANT



B	16614	UPDATED NOTES	11/7/2006	TN
A	15615	RELEASED FOR PRODUCTION	12/22/05	PH
REV	PCR NO	DESCRIPTION	DATE	BY

TITLE TL1107AF260EQ				
SCALE	DATE	DR	DWG	REV
4:1	11/7/2006	TN	P010326	B

THE INFORMATION CONTAINED IN THIS DOCUMENT IS PROPRIETARY TO E-SWITCH AND IS NOT TO BE COPIED OR TRANSFERRED