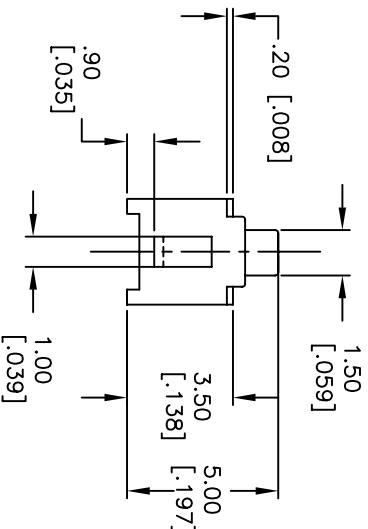
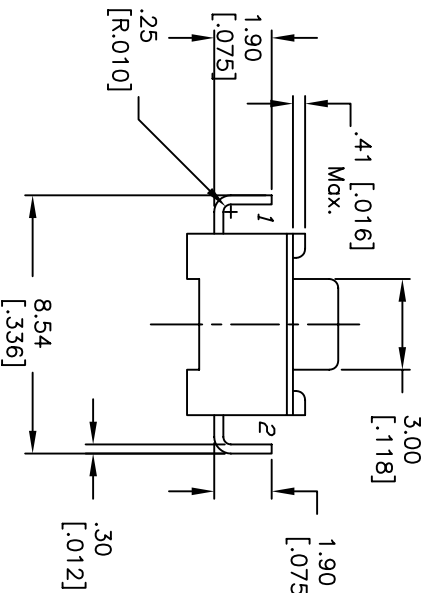
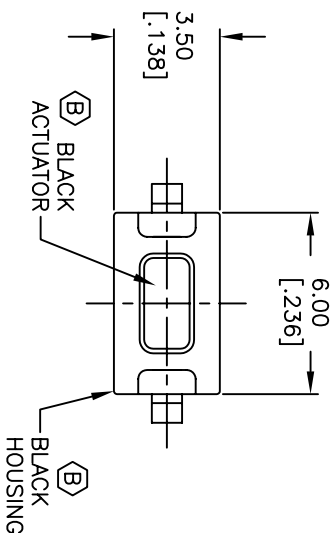


CIRCUIT DIAGRAM:

- NOTES:
1. ALL DIMENSIONS IN MM [INCH]
 2. GENERAL TOLERANCE: X.XX=±0.4 X:XX=±0.25
 3. TERM. NOS. FOR REFERENCE ONLY.
 4. RATINGS: 12VDC, 50mA
 5. CONTACT MATERIAL: SILVER
 6. OPERATING FORCE: 180±50gf (B)
 7. TRAVEL: 0.25±0.1mm
 8. CONTACT RESISTANCE: 100Ω Max.
 9. LIFE: 50,000 Cycles min.
 10. PACKAGING: BULK
 11. ▲ DENOTES CRITICAL PARAMETER.
 12. 2002/95/EC (ROHS) COMPLIANT



REV.	ECN No.	DESCRIPTION	DATE	CHKD
C	16634	UPDATED NOTES	11/9/06	TN
B	14881	CHANGED NOTE 6 & WHT- BLK	4/28/05	JB
A	14435	RELEASED FOR PRODUCTION	10/27/04	AR

REV.	ECN No.	DESCRIPTION	DATE	CHKD	SCALE	DATE	DR	DWG	REV
C	16634	UPDATED NOTES	11/9/06	TN	4:1	11/9/2006	TN	D310319	C
TITLE					TL1107BF180EQ				
THE INFORMATION CONTAINED IN THIS DOCUMENT IS PROPRIETARY TO E-SWITCH AND IS NOT TO BE COPIED OR TRANSMITTED					E-SWITCH®				