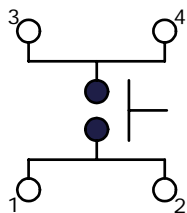
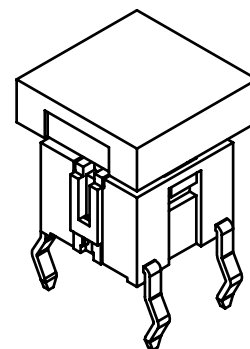
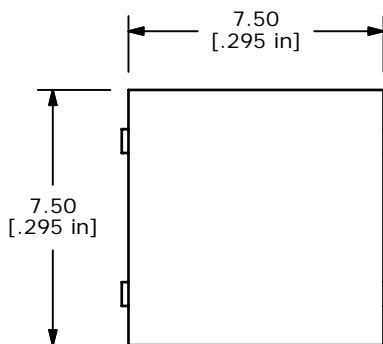


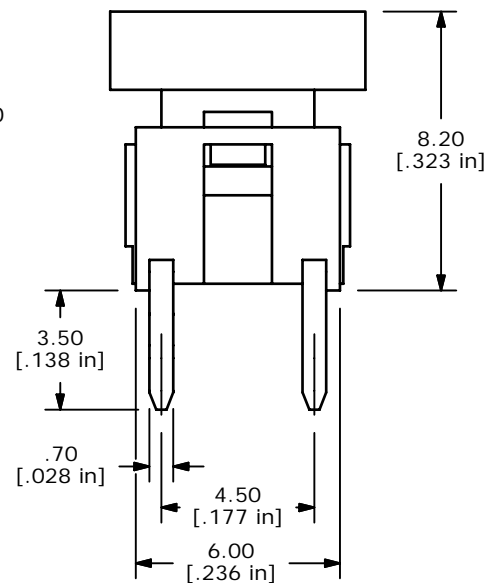
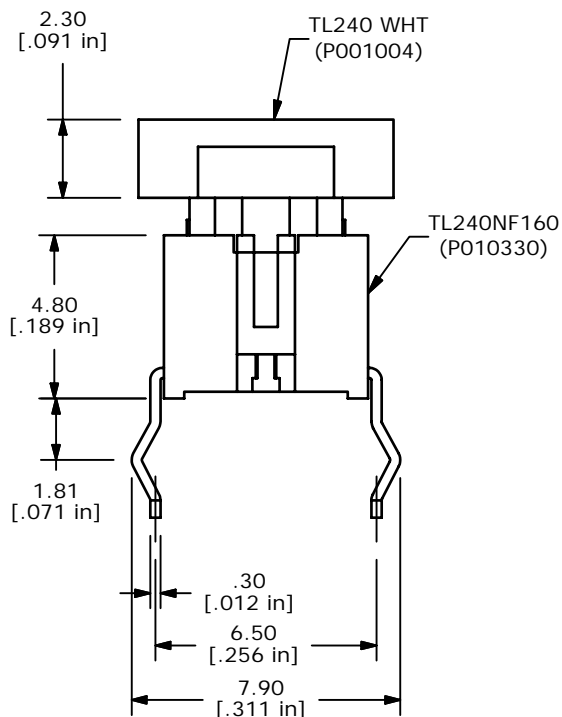
P.C.B. LAYOUT



CIRCUIT: SPST



ISOMETRIC



- NOTES:
1. ALL DIMENSIONS IN MM
 2. GENERAL TOLERANCE: X.X=±0.4
X.XX=±0.25
 3. RATING: 50mA, 12VDC
 4. TRAVEL: 0.25 +0.2/0.1mm
 5. OPERATING FORCE: 160±50gf
 6. CONTACT RESISTANCE: 100mILLI-Ohms Max

E-SWITCH®

B	15030	CORRECTED DRAWING NUMBER	7/22/05	DM
A	14919	RELEASED FOR PRODUCTION	5/13/05	JB
REV	PCR NO	DESCRIPTION	DATE	BY

TITLE TL1240NQ1JWHT				
B				
SCALE	DATE	DR	DWG	REV
4.5:1	5/13/2005	JB	XP0217P	B

THE INFORMATION CONTAINED IN THIS DOCUMENT IS PROPRIETARY TO E-SWITCH AND IS NOT TO BE COPIED OR TRANSFERRED