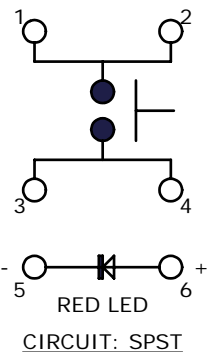
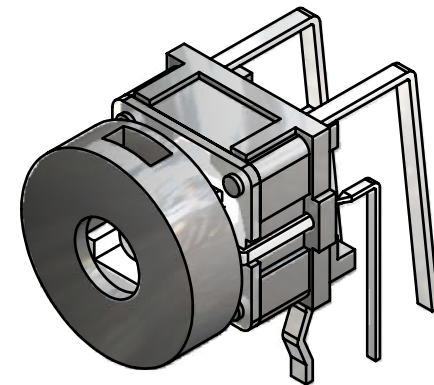


P.C.B LAYOUT

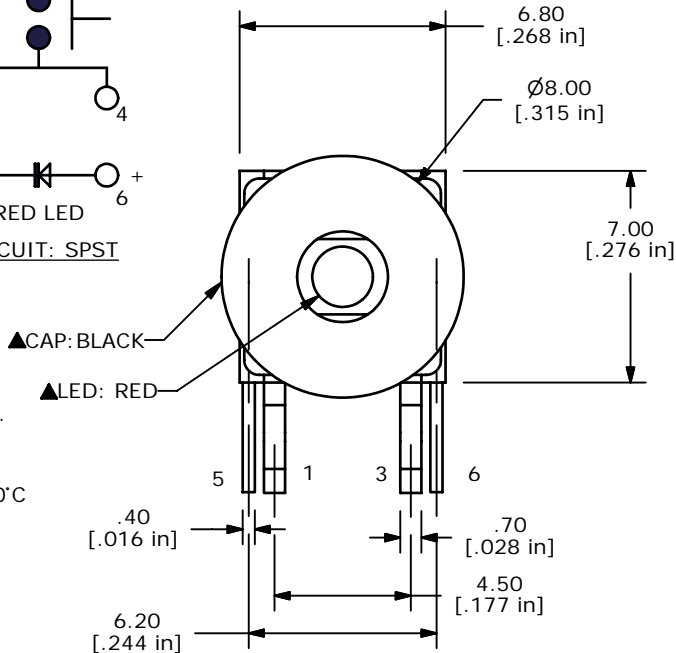
LED SPECS	UNITS	RED
FORWARD CURRENT	mA	30
FORWARD VOLTAGE @20mA	V	2.0-2.5
LUMINOUS INTENSITY @ 10mA	MCD	50



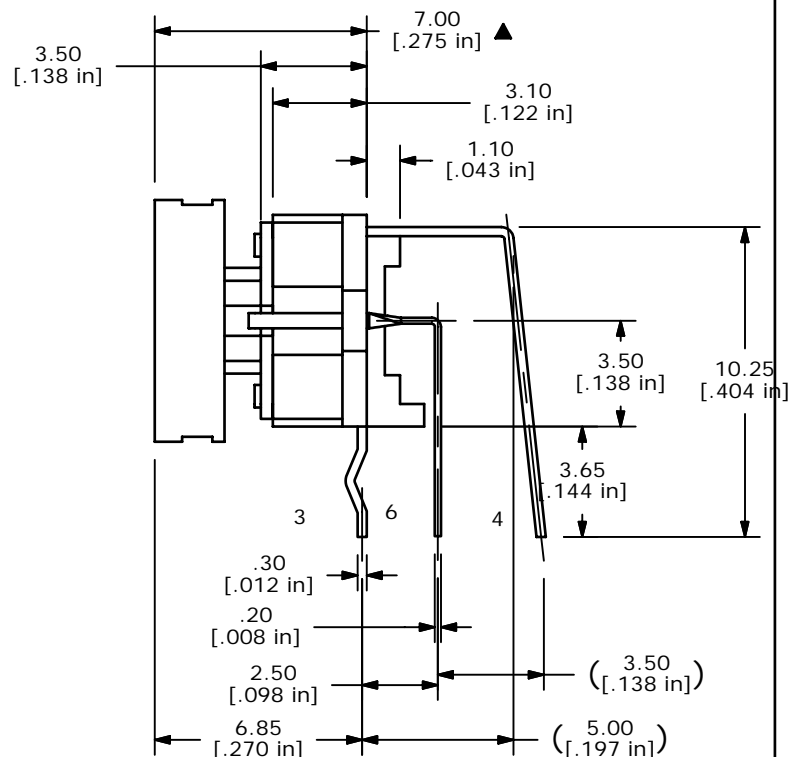
RED LED
CIRCUIT: SPST

NOTES:

1. ALL DIMENSIONS IN MM [INCH]
2. GENERAL TOLERANCE: X.X=±0.4
X.XX=±0.25
3. RATING: 12VDC @ 50mA
4. CONTACT RESISTANCE: 100mΩ MAX.
5. INSULATION RESISTANCE: 100MΩ MIN.
- ▲6. OPERATING FORCE: 160±50gf
7. TRAVEL: 0.2±0.1mm
8. OPERATING TEMPERATURE: -20°C TO 70°C
9. OPERATING LIFE: 50,000 CYCLES
- ▲10. LED: RED
11. ▲ DENOTES CRITICAL PARAMETERS
12. 2002/95/EC (ROHS) COMPLIANT



▲CAP: BLACK
▲LED: RED



REV	PCR NO	DESCRIPTION	DATE	BY
E	17280	ADD. GENERAL TOLERANCE NOTE	5/11/07	TN
D	16026	UPDATE LED SPECS	5/16/06	CT
C	15894	EDIT LED CHART	3/23/06	PH
B	15867	ADD CAP	3/15/06	PH
A	15723	RELEASED FOR PRODUCTION	1/31/06	PH



TITLE TL1260RQRBLK

SCALE	DATE	DR	DWG	REV
4:1	5/11/2007	TN	B200002	E

THE INFORMATION CONTAINED IN THIS DOCUMENT IS PROPRIETARY TO E-SWITCH AND IS NOT TO BE COPIED OR TRANSFERRED