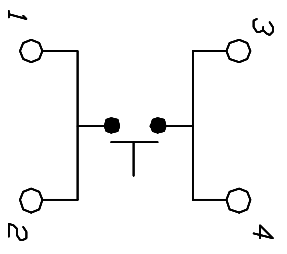
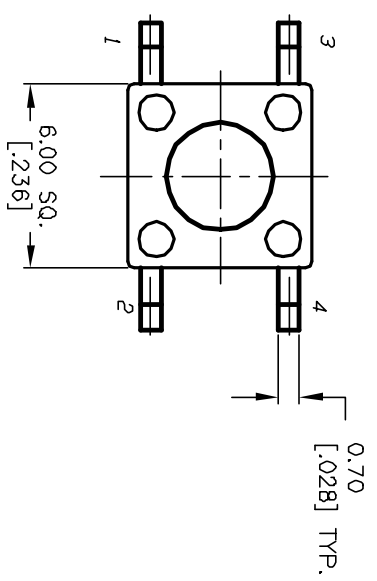
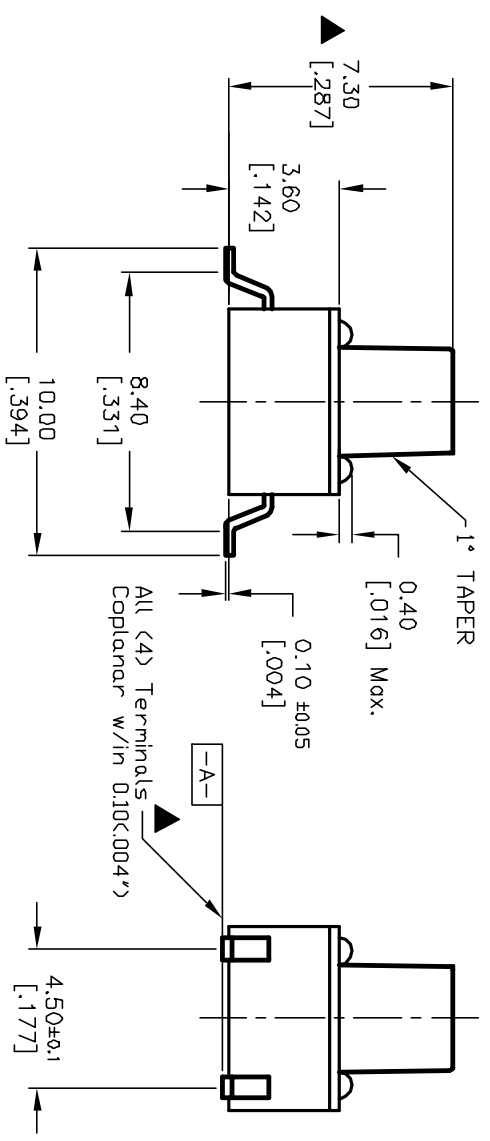


RECOMMENDED MOUNTING PAD



CIRCUIT: SPST



NOTES:

1. ALL DIMENSIONS IN MM [INCH]
2. GENERAL TOLERANCE: X.X=±0.4
X.XX=±0.25
3. TERM. NOS. FOR REFERENCE ONLY.
4. RATINGS: 12VDC, 50ma
5. CONTACT MATERIAL: Silver
6. OPERATING FORCE: 160±50gf
7. TRAVEL: 0.25±0.1mm
8. CONTACT RESISTANCE: 100 MILLI Ω Max.
9. ELECTRICAL LIFE: 100,000 CYCLES min.
10. DESIGNATE MAJOR FEATURE:
11. BODY& STEM: HIGH TEMP. PLASTIC -PPS RYTON-R-4
12. PACKAGED: TAPE & REEL

REV.	ECN No.	DESCRIPTION	DATE	CHKD
A	11584	RELEASED FOR PRODUCTION	12/10/02	CJB

TITLE	SCALE	DATE	DR	DWG	REV
TL3301E F160 Q G (TAPE & REEL)	4:1	12/10/02	CJB	D310636	A



THE INFORMATION CONTAINED IN THIS DOCUMENT IS PROPRIETARY TO E-SWITCH AND IS NOT TO BE COPIED OR TRANSFERRED