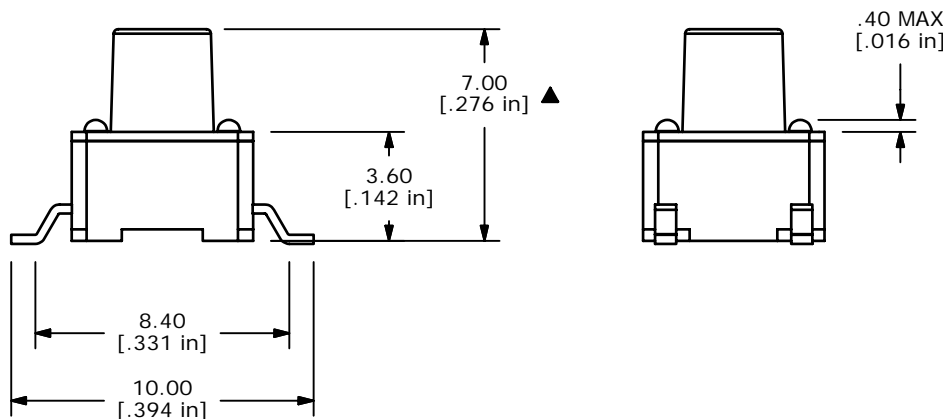


ISOMETRIC



NOTES:

1. ALL DIMENSIONS IN MM
2. GENERAL TOLERANCE: X.X=±0.4
X.XX=±0.25
3. TERM. NOS. FOR REFERENCE ONLY.
4. RATING: 50VDC, 50mA
- ▲ 5. OPERATING FORCE: 260 ± 50 GF
6. TRAVEL: 0.25MM ±0.1MM
7. CONTACT RESISTANCE: 100 MILLI OHMS MAX. (INITIAL)
8. MECHANICAL/ELECTRICAL LIFE 100,000 CYCLES MIN.
- ▲ 9. SILVER CONTACTS
- ▲ 10. PACKAGE: 700 PCS PER TAPE AND REEL
11. ▲ DENOTES CRITICAL PARAMETER
12. 2002/95/EC (ROHS) COMPLIANT

E-SWITCH®

C	15967	UPDATE TITLE AND REPLACE ACTUATOR	4/17/06	CT
B	15945	REVISED AND REDRAWN	4/5/06	PH
REV	PCR NO	DESCRIPTION	DATE	BY

TITLE TL3301FF260QG				
SCALE	DATE	DR	DWG	REV
4:1	4/5/2006	AR	D310532	C

THE INFORMATION CONTAINED IN THIS DOCUMENT IS PROPRIETARY TO E-SWITCH AND IS NOT TO BE COPIED OR TRANSFERRED