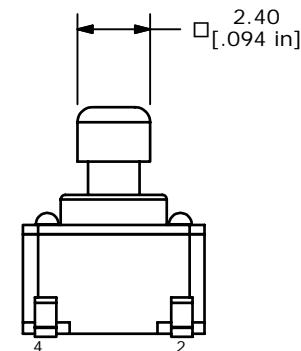
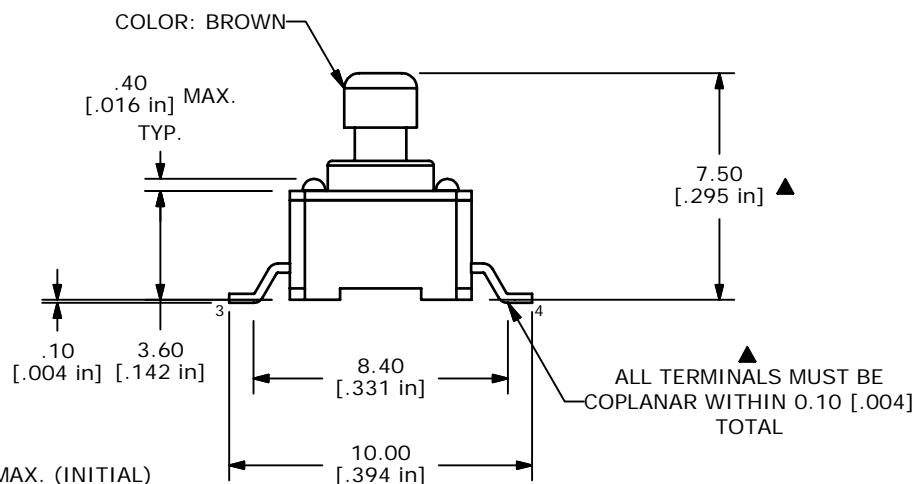
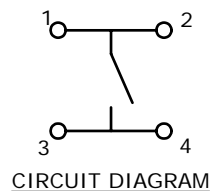


ISOMETRIC



- NOTES:
1. ALL DIMENSIONS IN MM
 2. GENERAL TOLERANCE: X.X=±0.4
X.XX=±0.25
 3. TERM. NOS. FOR REFERENCE ONLY.
 4. RATING: 12VDC, 50mA
 - ▲5. OPERATING FORCE: 100±30 gms
 6. TRAVEL: 0.25mm +0.2/-0.1
 7. CONTACT RESISTANCE: 100 MILLI OHMS MAX. (INITIAL)
 - ▲8. CONTACT MATERIAL: SILVER
 - ▲9. PACKAGE: TAPE AND REEL/750 PER REEL
 10. ▲ DENOTES CRITICAL PARAMETER
 11. 2002/95/EC (ROHS) COMPLIANT
 12. LIFE: 100,00 CYCLES
 13. 2002/95/EC (ROHS) COMPLIANT

E-SWITCH®

TITLE TL3301TF100QG

A	16996	RELEASED FOR PRODUCTION	2/15/2007	TN
REV	PCR NO	DESCRIPTION	DATE	BY

SCALE	DATE	DR	DWG	REV
4:1	2/15/2007	TN	P010633	A

THE INFORMATION CONTAINED IN THIS DOCUMENT IS PROPRIETARY TO E-SWITCH AND IS NOT TO BE COPIED OR TRANSFERRED