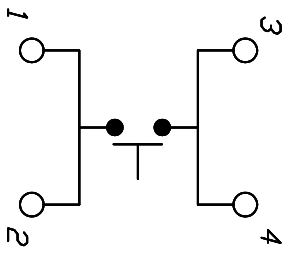
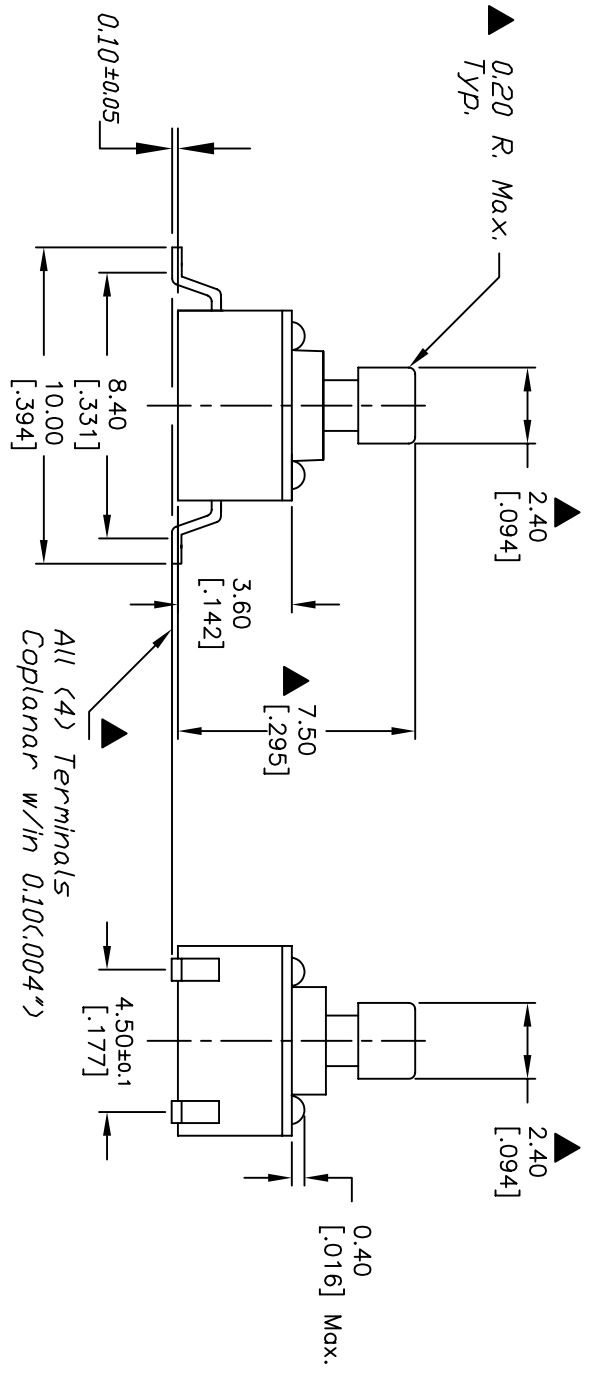


RECOMMENDED MOUNTING PAD



CIRCUIT: SPST

- NOTES:
1. ALL DIMENSIONS IN MM [INCH]
  2. GENERAL TOLERANCE: X.X=±0.4  
X.XX=±0.25
  3. TERM. NOS. FOR REFERENCE ONLY.
  4. RATINGS: 12VDC, 50ma
  5. CONTACT MATERIAL: Silver
  6. OPERATING FORCE: 260±50gf
  7. TRAVEL: 0.25±0.1mm
  8. CONTACT RESISTANCE: 100Ω Max.
  9. ELECTRICAL LIFE: 100,000 CYCLES min.
  10. DESIGNATE MAJOR FEATURE:
  11. BODY& STEM: HIGH TEMP. PLASTIC -PPS RYTON-R-4
  12. PACKAGED: TUBE
  13. 2002/95/EC (ROHS) COMPLIANT



C	15488	REMOVE GOLD DOME INFO	11/2/05	PH
B	15467	GOLD DOME, ROHS NOTE	10/27/05	PH
A	11584	RELEASED FOR PRODUCTION	11/25/02	CJB
REV.	ECN NO.	DESCRIPTION	DATE	CHKD

TITLE		SCALE	DATE	DR	DWG	REV
TL3301 T F260 Q G (TUBE)		4:1	7/26/01	CJB	D310787	C



THE INFORMATION CONTAINED IN THIS DOCUMENT IS PROPRIETARY TO E-SWITCH AND IS NOT TO BE COPIED OR TRANSMITTED