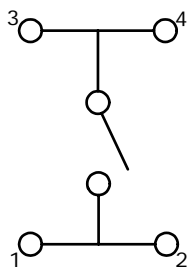


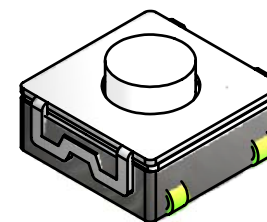
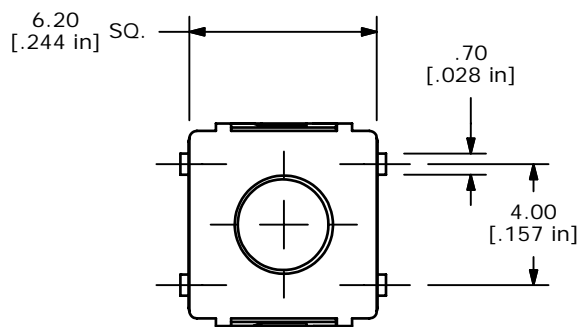
RECOMMENDED P.C.B. LAYOUT



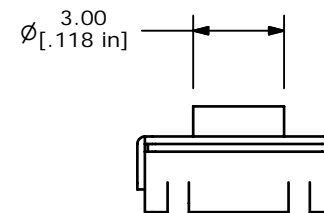
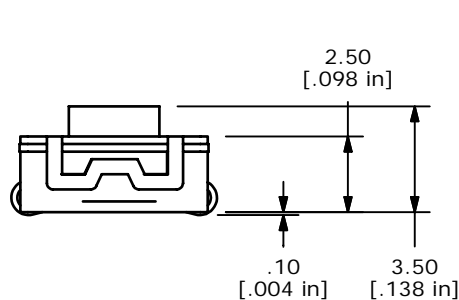
CIRCUIT DIAGRAM

NOTES:

1. ALL DIMENSIONS IN MM [INCH]
2. GENERAL TOLERANCE: x.x=±0.4
x.xx=±0.25
3. TERM. NOS. FOR REF. ONLY
4. RATING: 50mA, @12V DC
- ▲ 5. OPERATING FORCE: 160±50gF
6. TRAVEL: 0.25 +0.1/-0.1MM
7. CONTACT RESISTANCE: 100 MILLI- OHMS MAX.
8. PACKAGING: TAPE AND REEL, 1500 PCS PER REEL
- ▲ 9. SILVER CONTACTS
10. ▲ DENOTES CRITICAL PARAMETER



ISOMETRIC



E-SWITCH®

TITLE TL6304AF160QJ

A	16471	RELEASED FOR PRODUCTION	10/03/2006	TN
REV	PCR NO	DESCRIPTION	DATE	BY

THE INFORMATION CONTAINED IN THIS DOCUMENT IS PROPRIETARY TO E-SWITCH AND IS NOT TO BE COPIED OR TRANSFERRED

SCALE	DATE	DR	DWG	REV
4:1	10/3/2006	TN	D310705	A