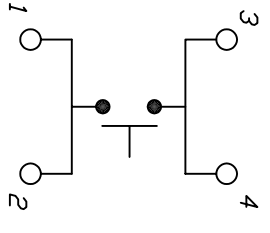
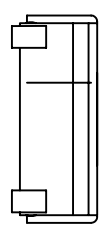
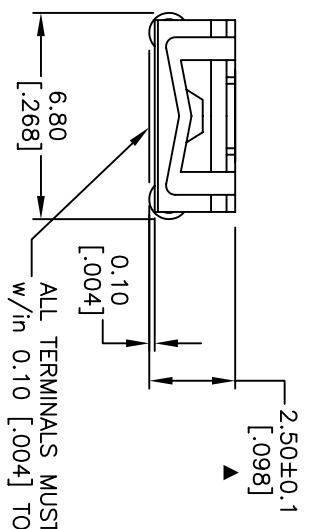
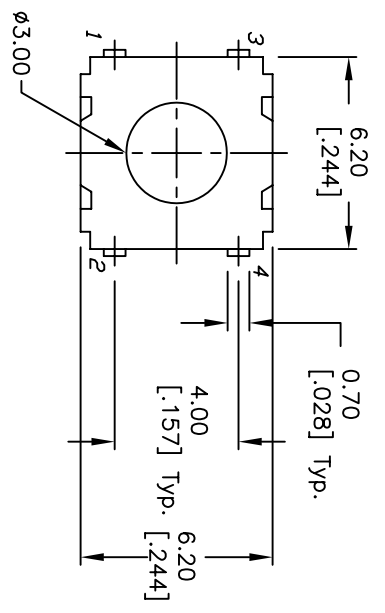


RECOMMENDED P.C.B. LAYOUT



CIRCUIT: SPST
CONTACT CONFIGURATION

- NOTES:
1. ALL DIMENSIONS IN MM [INCH]
 2. GENERAL TOLERANCE: X.X=±0.4 X.XX=±0.25
 3. TERM. NOS. FOR REF. ONLY
 4. RATING: 50mA, @12V DC
SILVER PLATED CONTACTS AND TERMINALS.
 5. OPERATING FORCE: 300±50gf
 6. TRAVEL: 0.25 +0.2/-0.1mm
 7. CONTACT RESISTANCE: 100 MILLIOHMS MAX.
 8. ELECTRICAL LIFE: 100,000 CYCLES
 9. ▲ DENOTES CRITICAL PARAMETER.
 10. PACKAGING: TAPE AND REEL, 1,500 PCS



REV.	ECN No.	DESCRIPTION	DATE	CHKD
A	15545	RELEASED FOR PRODUCTION	11/29/05	PH

TITLE		SCALE		DATE	DR	DWG	REV
TL6304NF300QJ		4:1		11/29/05	PH	D310747	A



THE INFORMATION CONTAINED IN THIS DOCUMENT IS PROPRIETARY TO E-SWITCH AND IS NOT TO BE COPIED OR TRANSMITTED