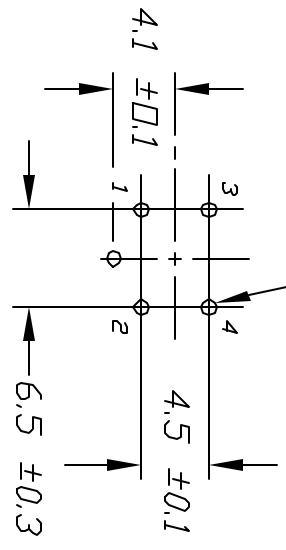
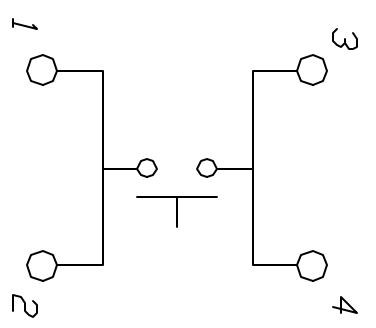
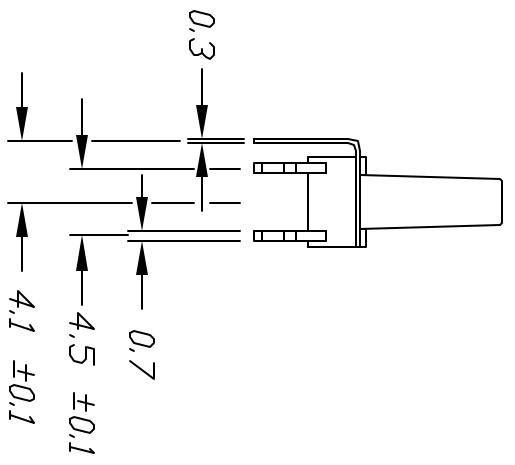
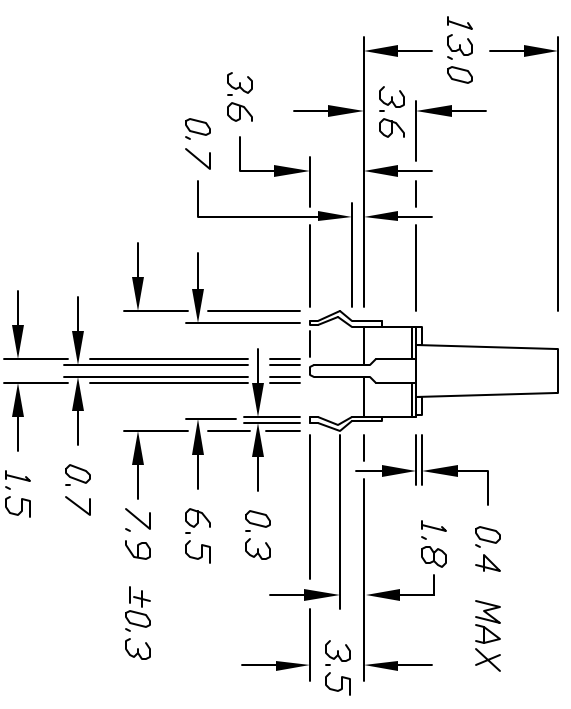


1.0 ±0.05 DIA HOLES (5)



P.C.B. MOUNTING HOLES
TERMINAL NUMBERS FOR REF ONLY



CONTACT CONFIGURATION
TERMINAL NUMBERS FOR REF ONLY

NOTES:

1. ALL DIMENSIONS IN MM
2. TERM. NOS. FOR REF ONLY

TOLERANCES		TITLE	
0.0	±0.4	TLE 1105D (BLACK PLUNGER)	
0.00	±0.25	SCALE	DATE
		2:1	2/22/95
REV.	DESCRIPTION	DR	DWG
A	RELEASED FOR PRODUCTION	JL	P010104
		REV	
		A	

THE INFORMATION CONTAINED IN THIS DOCUMENT IS PROPRIETARY TO E-SWITCH AND IS NOT TO BE COPIED OR TRANSFERRED