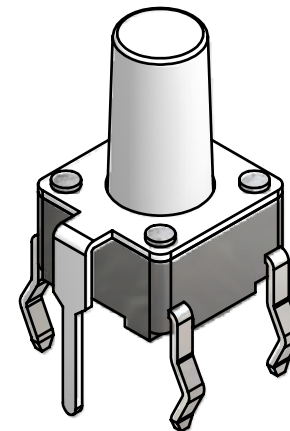
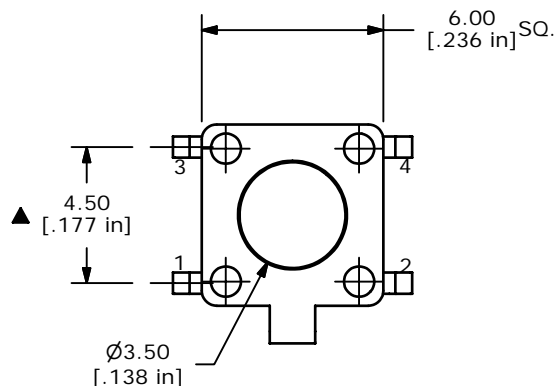
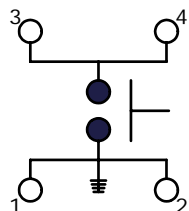


P.C. LAYOUT



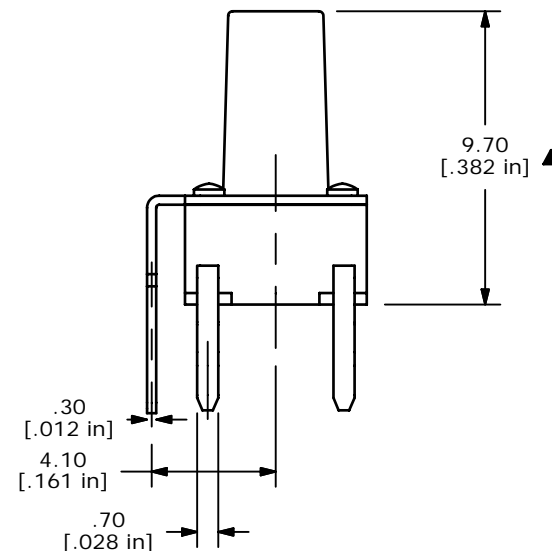
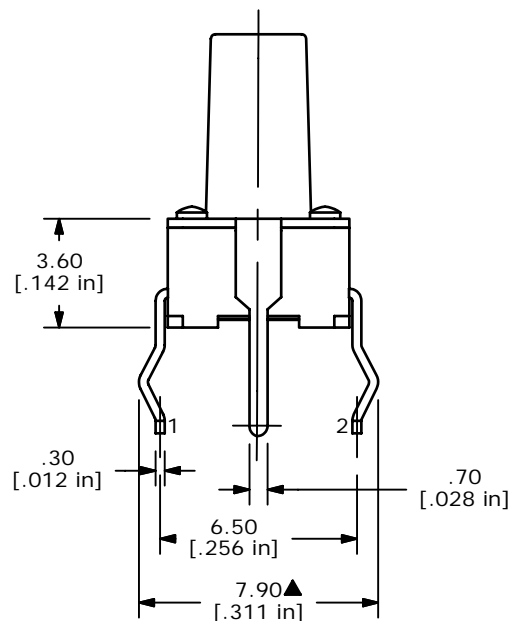
ISOMETRIC



CIRCUIT: SPST

NOTES:

1. ALL DIMENSIONS IN MM [INCH]
2. GENERAL TOLERANCE: X.X=±0.4
X.XX=±0.25
3. TERM. NUMBERS FOR REF. ONLY.
4. RATING: 50mA @ 12VDC
- ▲5. OPERATING FORCE: 250±50gf
6. TRAVEL: 0.25±0.1 mm
7. CONTACT RESISTANCE: 100 mΩ MAX.
- ▲8. CONTACT MATERIAL: SILVER
9. DIELECTRIC STRENGTH: 250V RMS min.
10. INSULATION RESISTANCE: 100 MEGAΩ min.
11. ELECTRICAL LIFE: 80,000 CYCLES
12. ▲ DENOTES CRITICAL PARAMETER.
13. OPERATING TEMP: -30°C TO 85°C
14. 2002/95/EC (ROHS) COMPLIANT
15. PACKAGE: POLYBAG/ 1,000 PIECES PER



TITLE TLE1105GF250Q

| | | | | |
|-----|--------|----------------------------|---------|----|
| B | 17017 | FIXED REVISION, TITLE ETC. | 2/21/07 | TN |
| REV | PCR NO | DESCRIPTION | DATE | BY |

| | | | | |
|-------|-----------|----|---------|-----|
| SCALE | DATE | DR | DWG | REV |
| 4:1 | 2/21/2007 | TN | D310117 | B |

THE INFORMATION CONTAINED IN THIS DOCUMENT IS PROPRIETARY TO E-SWITCH AND IS NOT TO BE COPIED OR TRANSFERRED