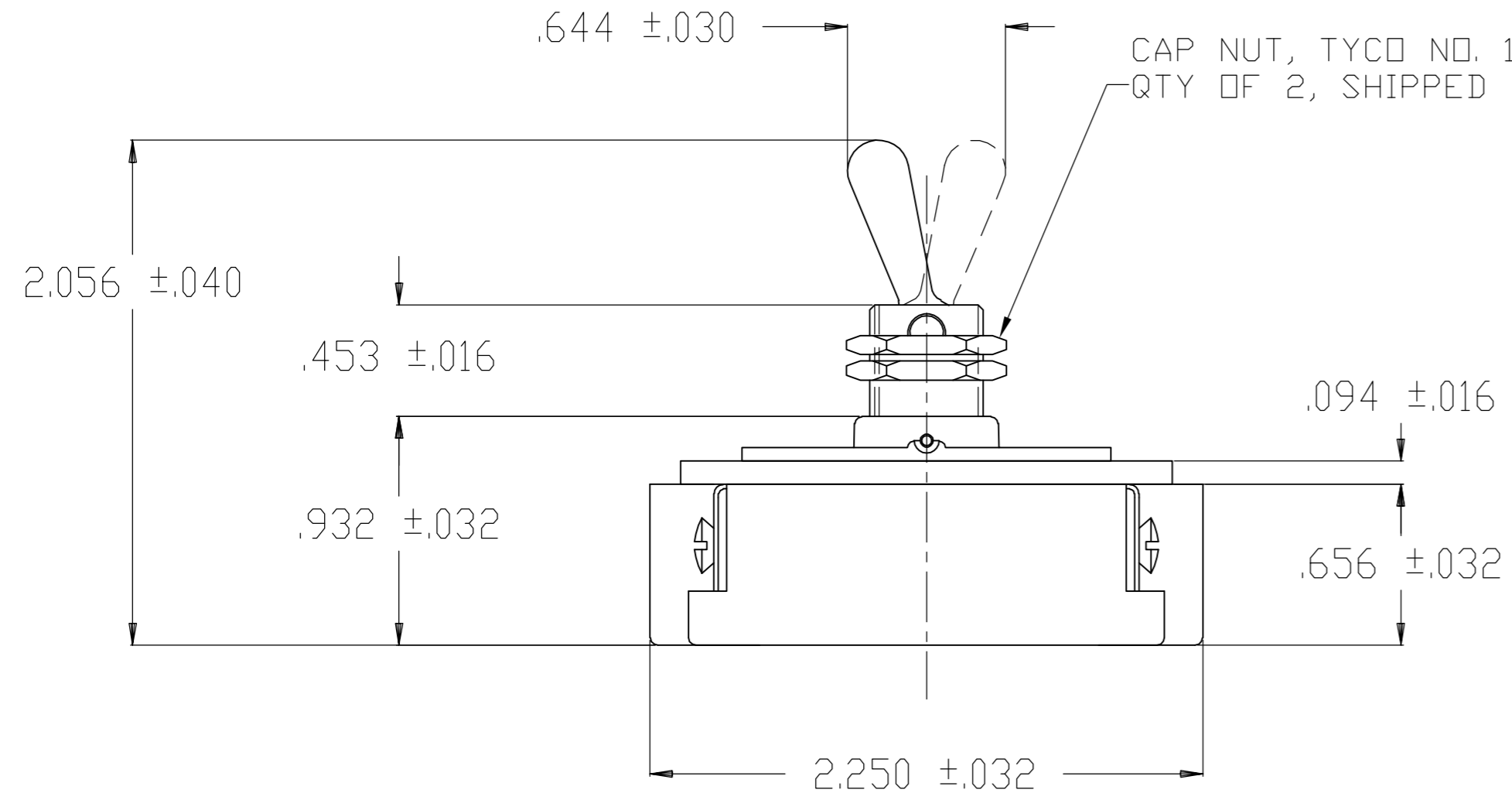
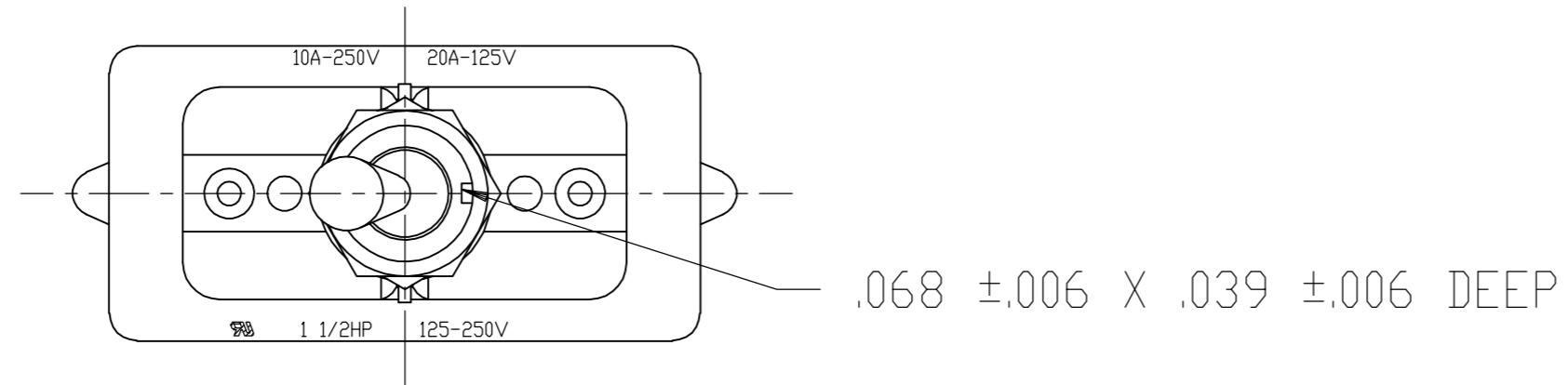
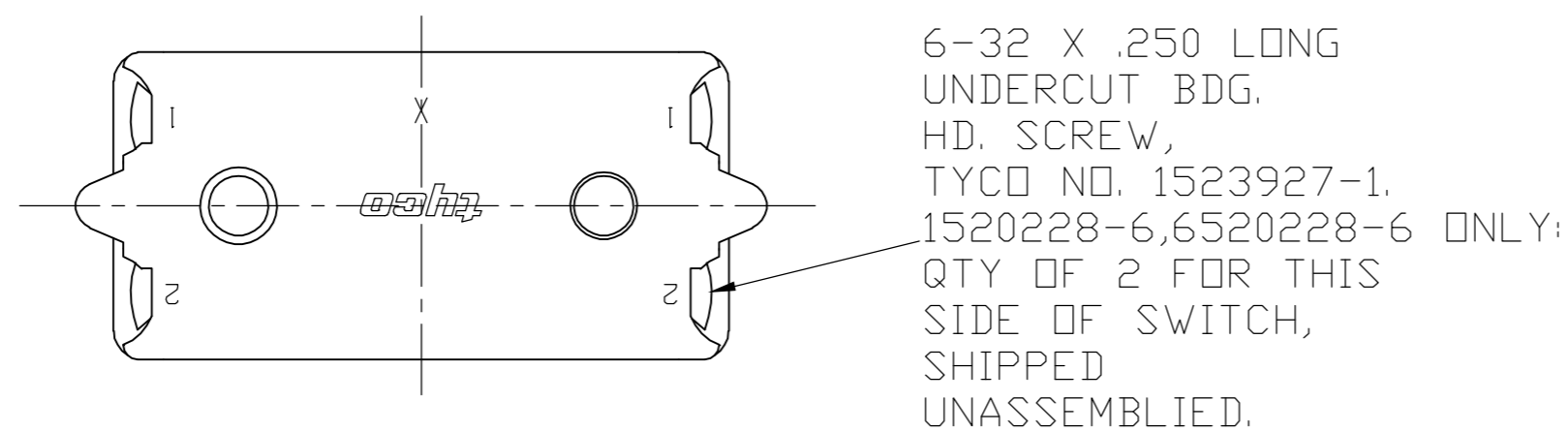
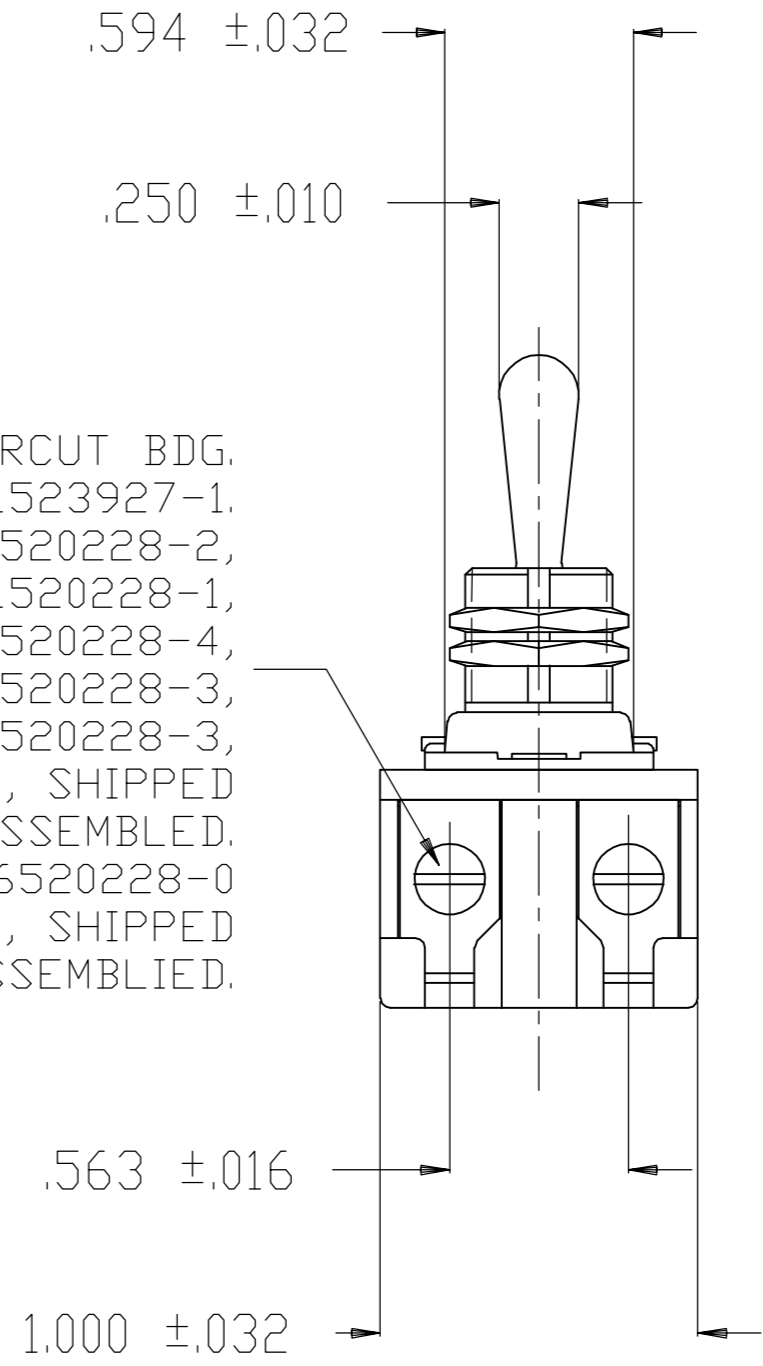


THIS DRAWING IS UNPUBLISHED. RELEASED FOR PUBLICATION
 © COPYRIGHT BY TYCO ELECTRONICS CORPORATION. ALL RIGHTS RESERVED.

LOC		DIST		REVISIONS			
P	LTR	DESCRIPTION	DATE	DWN	APVD		
AD	00	A	ECOG3G-0266-02	30SEP02	WL	WBH	



6-32 X .250 LONG UNDERCUT BDG. HD. SCREW, TYCO NO. 1523927-1. SWITCHES 1520228-1, 1520228-2, 1520228-3, 1-1520228-1, 2-1520228-3, 2-1520228-4, 6520228-1, 6520228-2, 6520228-3, 1-6520228-1, 2-6520228-3, 2-6520228-4: QTY OF 4, SHIPPED UNASSEMBLED. SWITCH 1-1520228-0, 1-6520228-0 ONLY: QTY OF 4, SHIPPED ASSEMBLED.



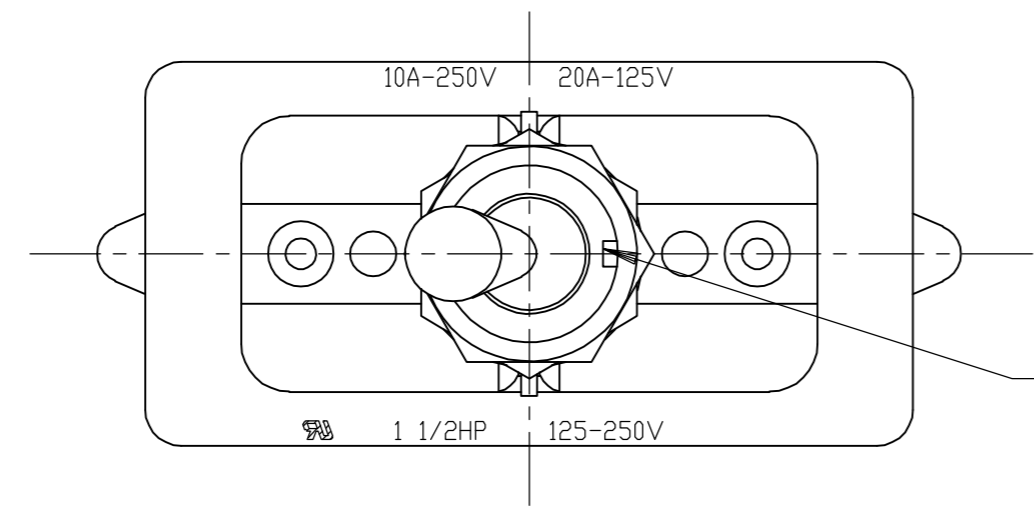
2-1520228-4/2-6520228-4	7360K8 T-PAK	15/32" THD - DIE CAST	DPST
2-1520228-3/2-6520228-3	7360K7 T-PAK	11/32" THD - DIE CAST	DPST
1-1520228-1/1-6520228-1	8910K219	15/32" THD - DIE CAST	DPST
1-1520228-0/1-6520228-0	8910K205	11/32" THD - DIE CAST	DPST
1520228-6/6520228-6	7362K4	15/32" THD - DIE CAST	SPST WITH BUSSING
1520228-3/6520228-3	7360K7	11/32" THD - DIE CAST	DPST
1520228-2/6520228-2	7359K3	15/32" THD - DIE CAST	DPST
1520228-1/6520228-1	7359K2	11/32" THD - DIE CAST	DPST
TYCO NO.	ARAB NO.	BUSHING / PLATE ASSY	DESCRIPTION

NOTES:
 1. T-PAK - SWITCH AND HARDWARE INDIVIDUALLY PACKED IN PLASTIC BAGS BEFORE BEING PLACED IN A INTERMEDIATE BOX WHICH IS THEN PLACED IN A SHIPPING BOX. SEE TABLE.
 2. P/N X-6520228-X IS ROHS COMPLIANT

THIS DRAWING IS A CONTROLLED DOCUMENT.		DWN	26SEP02	Tyco Electronics Corporation Arab, AL 35016	
DIMENSIONS: INCHES		CHK	-	NAME	
TOLERANCES UNLESS OTHERWISE SPECIFIED:		APVD	-	PRODUCT SPEC	
0 PLC ± - 1 PLC ± - 2 PLC ± - 3 PLC ± - 4 PLC ± - ANGLES ± - FINISH -		APPLICATION SPEC		20 AMP 125V AC/DC, 10 AMP 250V AC/DC, 1 1/2 HP 125V/250V AC/DC, ONE HOLE MOUNTING TOOL HANDLE TOGGLE SWITCH	
MATERIAL		WEIGHT	-	SIZE	RESTRICTED TO
-		CUSTOMER DRAWING		A2 00779	-
		SCALE	1:1	DRAWING NO	REV
		SHEET	1 OF 4	C=1520228	B

THIS DRAWING IS UNPUBLISHED. RELEASED FOR PUBLICATION
 © COPYRIGHT BY TYCO ELECTRONICS CORPORATION. ALL RIGHTS RESERVED.

LOC	DIST	REVISIONS					
AD	00	P	LTR	DESCRIPTION	DATE	DWN	APVD
		-		SEE SHEET 1	-	-	-



.068 ±.006 X .039 ±.006 DEEP

.594 ±.032

.644 ±.030

CAP NUT, TYCO NO. 1522128-1 - 1520228-4,
 6520228-4 ONLY: QTY OF 2, SHIPPED UNASSEMBLED.
 1520228-7, 6520228-7 ONLY: QTY OF 1, SHIPPED UNASSEMBLED.

.250 ±.010

1520228-7 ONLY: TYCO NO. 1522121-1 LOCK NUT,
 QTY OF 1, SHIPPED UNASSEMBLED.

2.056 ±.040

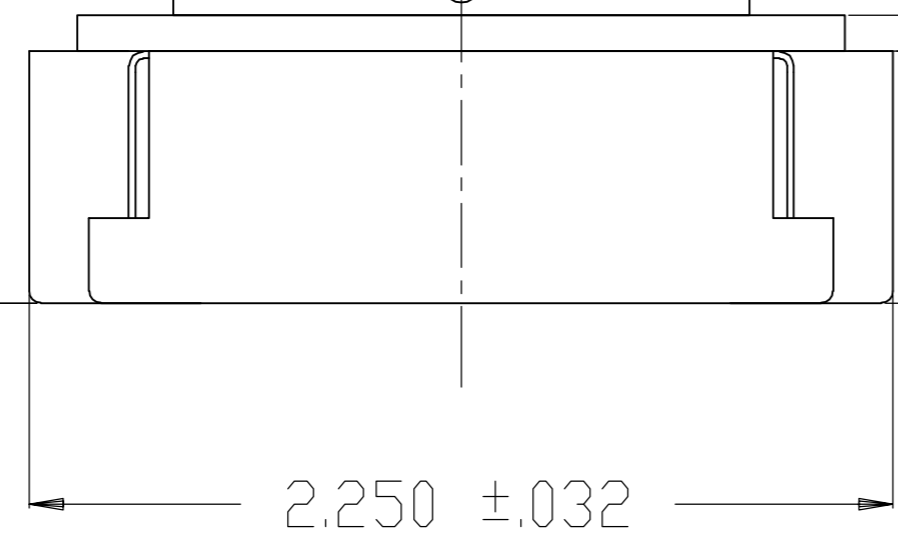
.453 ±.016

4 HOLES FOR 6-32 X .250
 LONG UNDERCUT BDG. HD.
 SCREW TYCO NO. 1523927-1
 SHIPPED UNASSEMBLED

.094 ±.016

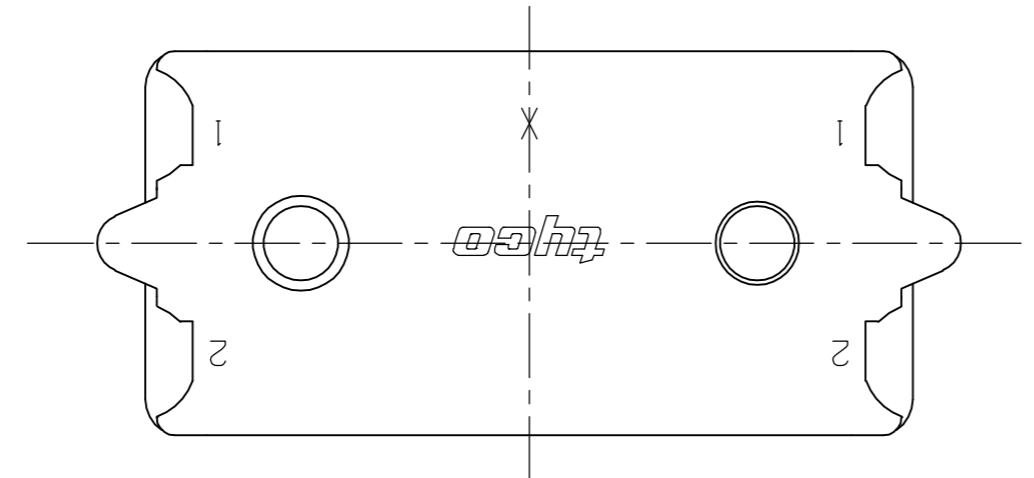
.932 ±.032

.656 ±.032



.563 ±.016

1.000 ±.032



NOTES
 1. T-PAK - SWITCH AND HARDWARE INDIVIDUALLY PACKED IN PLASTIC BAGS BEFORE BEING PLACED IN AN INTERMEDIATE BOX WHICH IS THEN PLACED IN A SHIPPING BOX. SEE TABLE.
 2. P/N X-6520228-X IS ROHS COMPLIANT.

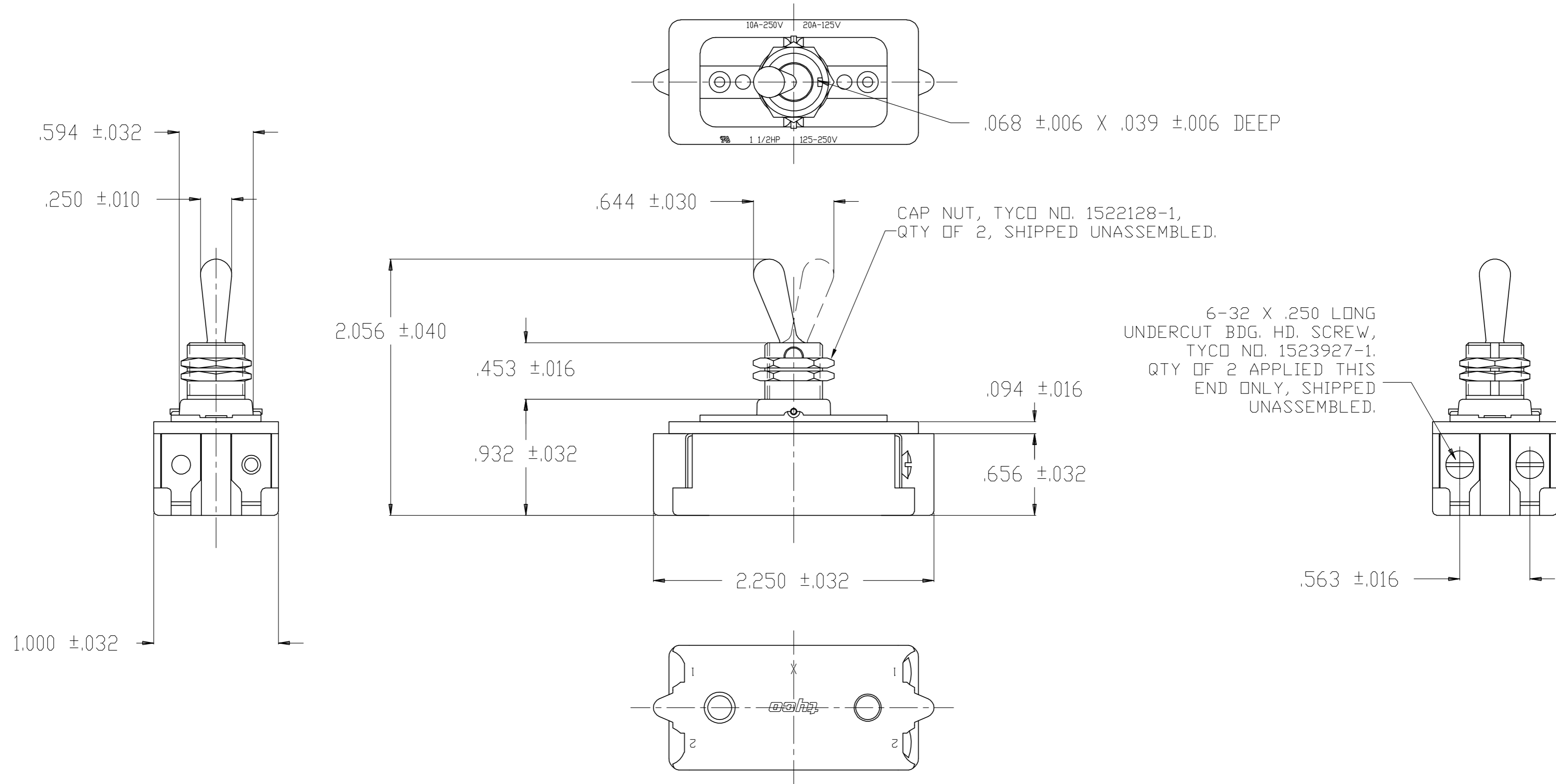
91-399

1520228-7 / 6520228-7	8909K23	15/32" THD - DIE CAST	DPST T-PAK'ED W/ SPECIAL HARDWARE
1520228-4 / 6520228-4	7360K8	15/32" THD - DIE CAST	DPST
TYCO NO.	ARAB NO.	BUSHING / PLATE ASSY	DESCRIPTION

THIS DRAWING IS A CONTROLLED DOCUMENT.		DWN W. HANSON 29APR93	tyco Electronics Tyco Electronics Corporation Arab, AL 35016	
DIMENSIONS: INCHES		CHK W. LeonarD 02MAY93	NAME E. WESOLEK 03MAY93	
TOLERANCES UNLESS OTHERWISE SPECIFIED:		APVD E. WESOLEK 03MAY93	PRODUCT SPEC APPLICATION SPEC	
0 PLC ± -		WEIGHT	SIZE A2	
1 PLC ± -		FINISH	CAGE CODE 00779	
2 PLC ± -			DRAWING NO C=1520228	
3 PLC ± -			RESTRICTED TO	
4 PLC ± -			SCALE 1:1	
ANGLES ± -			SHEET 2 OF 4	
FINISH			REV B	
MATERIAL		CUSTOMER DRAWING		

THIS DRAWING IS UNPUBLISHED. RELEASED FOR PUBLICATION
 © COPYRIGHT BY TYCO ELECTRONICS CORPORATION. ALL RIGHTS RESERVED.

LOC	DIST	REVISIONS			
P	LTR	DESCRIPTION	DATE	DWN	APVD
AD	00	SEE SHEET 1	-	-	-



NOTES
 1. T-PAK - SWITCH AND HARDWARE INDIVIDUALLY PACKED IN PLASTIC BAGS BEFORE BEING PLACED IN A INTERMEDIATE BOX WHICH IS THEN PLACED IN A SHIPPING BOX. SEE TABLE.
 2. PLY-□-PAK - SWITCH AND HARDWARE INDIVIDUALLY PACKED IN PLASTIC BAGS BEFORE BEING PACKED LOOSE IN A SHIPPING BOX. SEE TABLE.
 3. P/N X-6520228-X IS ROHS COMPLIANT.

TYCO NO.	ARAB NO.	BUSHING / PLATE ASSY	DESCRIPTION
2-1520228-5/2-6520228-5	7361K5 T-PAK	15/32" THD - DIE CAST	SPST
1520228-9/ 6520228-9	8910K191	15/32" THD - DIE CAST	SPST (PLY-□-PAK)
1520228-5/ 6520228-5	7361K5	15/32" THD - DIE CAST	SPST

THIS DRAWING IS A CONTROLLED DOCUMENT.

DWN	J. SMITH	13DEC77
CHK	R. GLENN	13DEC77
APVD	M.R. DUMMER	18DEC77

NAME: 20 AMP 125V AC/DC, 10 AMP 250V AC/DC, 1 1/2 HP 125V/250V AC/DC, ONE HOLE MOUNTING TOOL HANDLE TOGGLE SWITCH

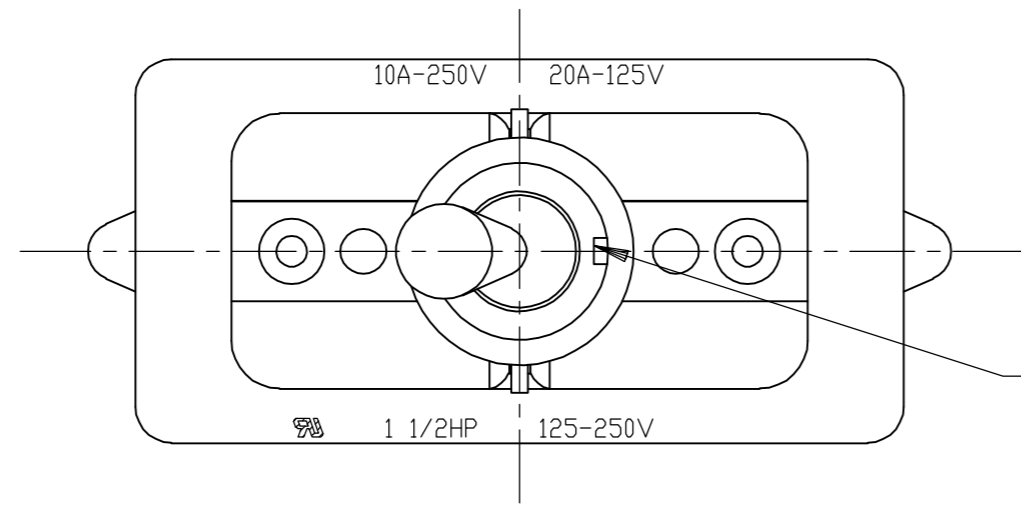
SIZE	A2	CAGE CODE	00779	DRAWING NO.	C=1520228	RESTRICTED TO	-
SCALE	1:1	SHEET	3	OF	4	REV	B

CUSTOMER DRAWING

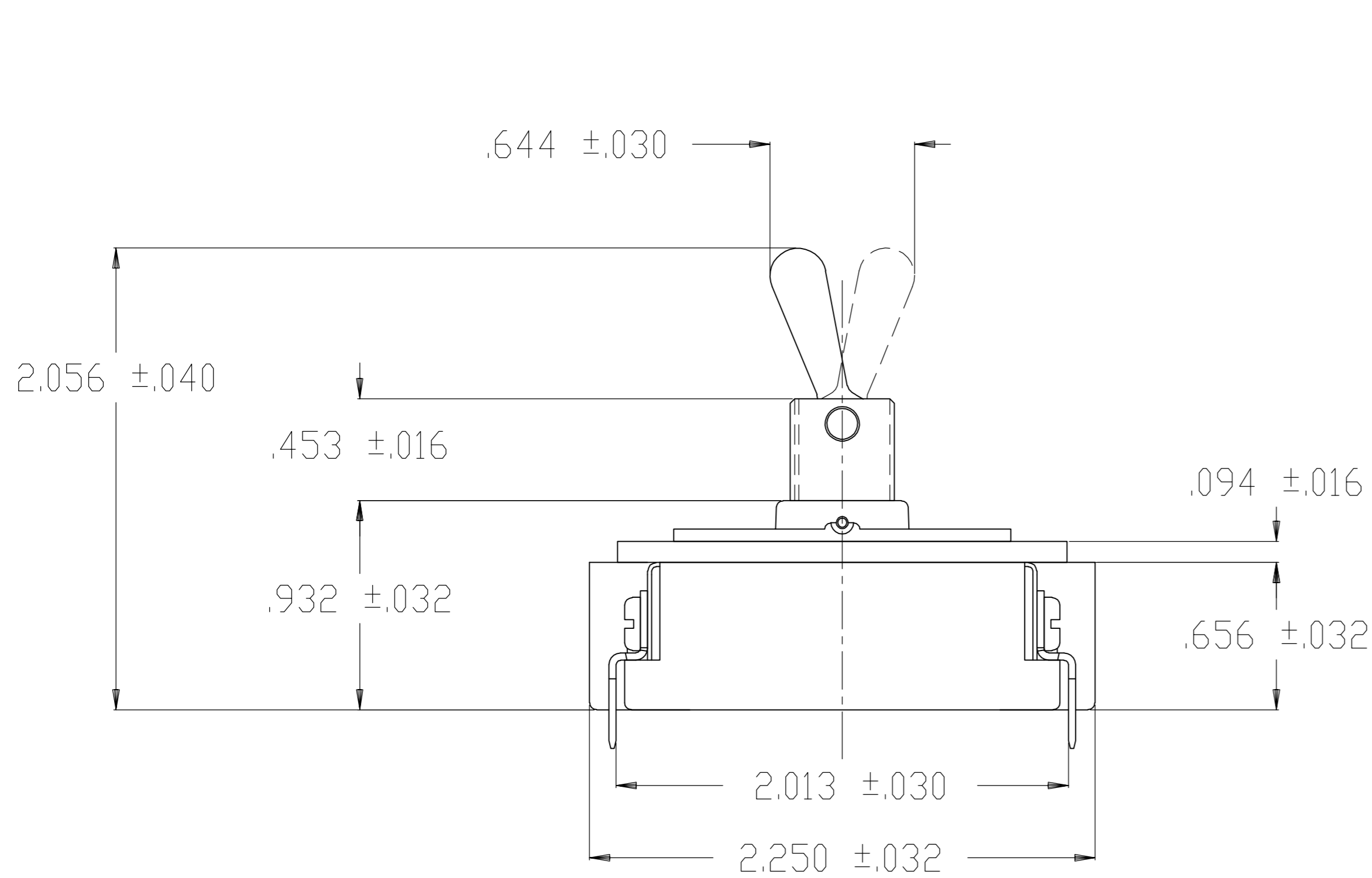
90-7016

THIS DRAWING IS UNPUBLISHED. RELEASED FOR PUBLICATION
 © COPYRIGHT BY TYCO ELECTRONICS CORPORATION. ALL RIGHTS RESERVED.

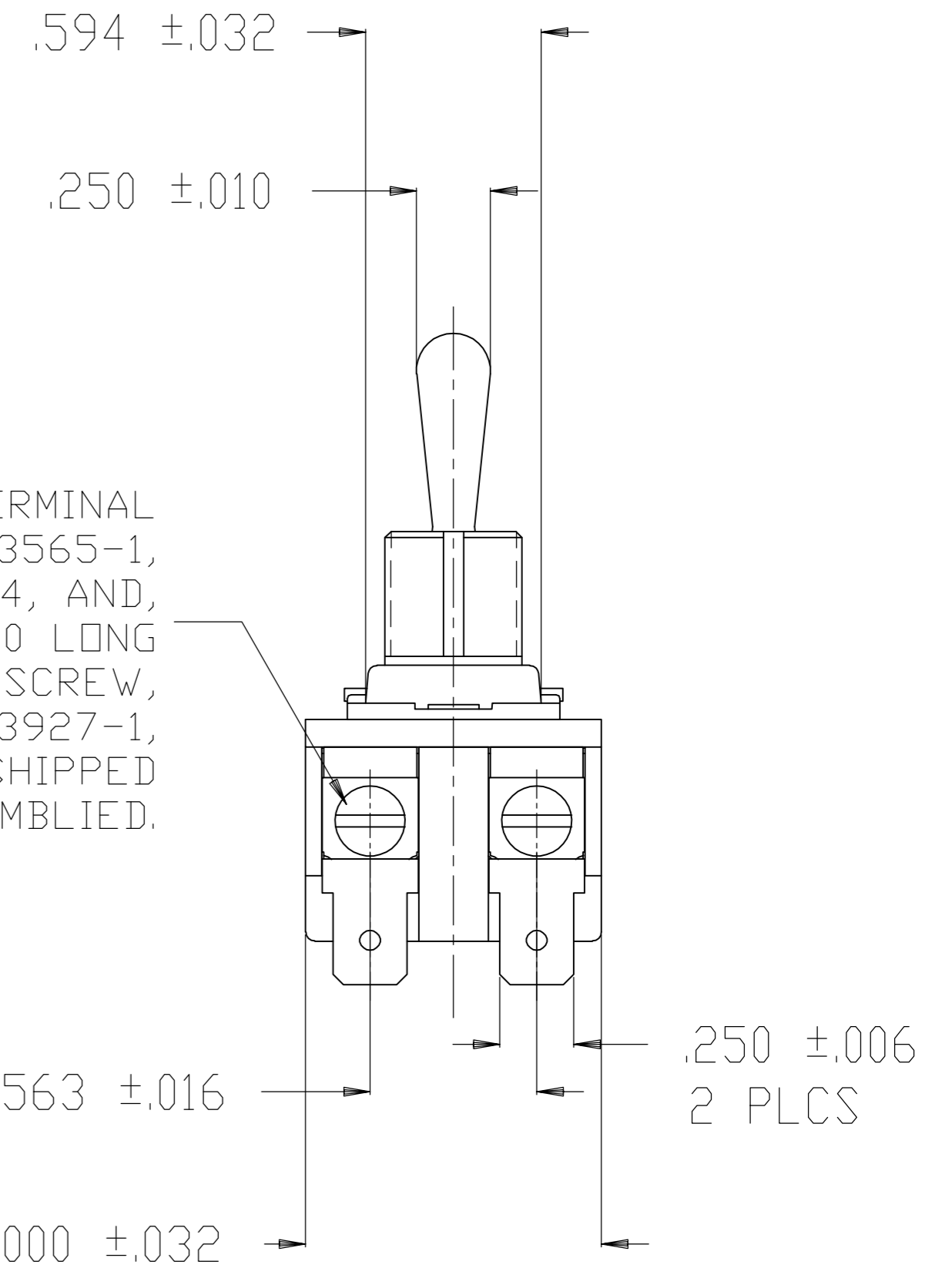
LOC	DIST	REVISIONS			
P	LTR	DESCRIPTION	DATE	DWN	APVD
AD	00	SEE SHEET 1	-	-	-



.068 ±.006 X .039 ±.006 DEEP



QUICK CONNECT TERMINAL
 TYCO NO. 1523565-1,
 QTY OF 4, AND,
 6-32 X .250 LONG
 UNDERCUT BDG. HD. SCREW,
 TYCO NO. 1523927-1,
 QTY OF 4, SHIPPED
 ASSEMBLED.



NOTES:
 1. P/N X-6520228-X IS ROHS COMPLIANT.

91-601

TYCO NO.	ARAB NO.	BUSHING / PLATE ASSY	DESCRIPTION
1520228-8/6520228-8	8910K12	15/32" THD - DIE CAST	DPST

THIS DRAWING IS A CONTROLLED DOCUMENT.		DWN T. CHRISTENSEN 25OCT95	Tyco Electronics Corporation Arab, AL 35016	
DIMENSIONS: INCHES		CHK W. HANSON 01NOV95	NAME M.R. DUMMER 09NOV95	
TOLERANCES UNLESS OTHERWISE SPECIFIED:		APVD M.R. DUMMER 09NOV95	PRODUCT SPEC	
0 PLC ± -		APPLICATION SPEC		
1 PLC ± -		WEIGHT -		
2 PLC ± -		SIZE A2		
3 PLC ± -		CAGE CODE 00779		
4 PLC ± -		DRAWING NO. C=1520228		
ANGLES ± -		RESTRICTED TO		
FINISH -		SCALE 1:1		
MATERIAL -		SHEET 4 OF 4		
		REV B		