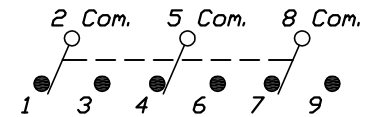
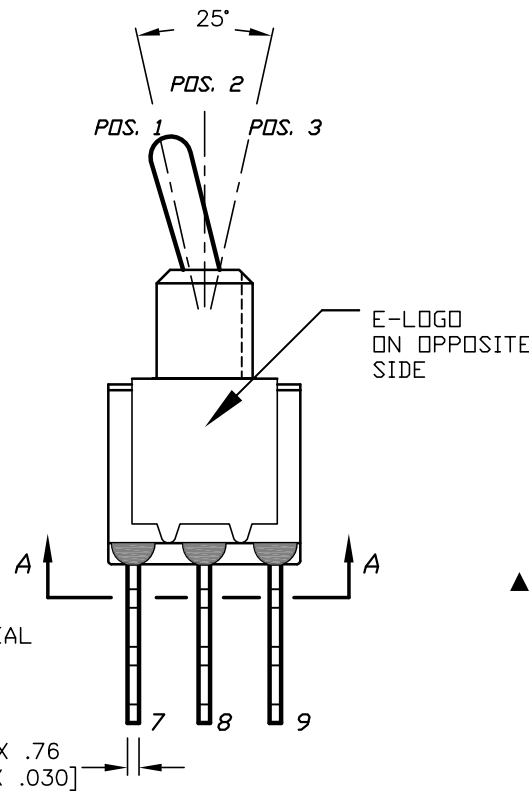
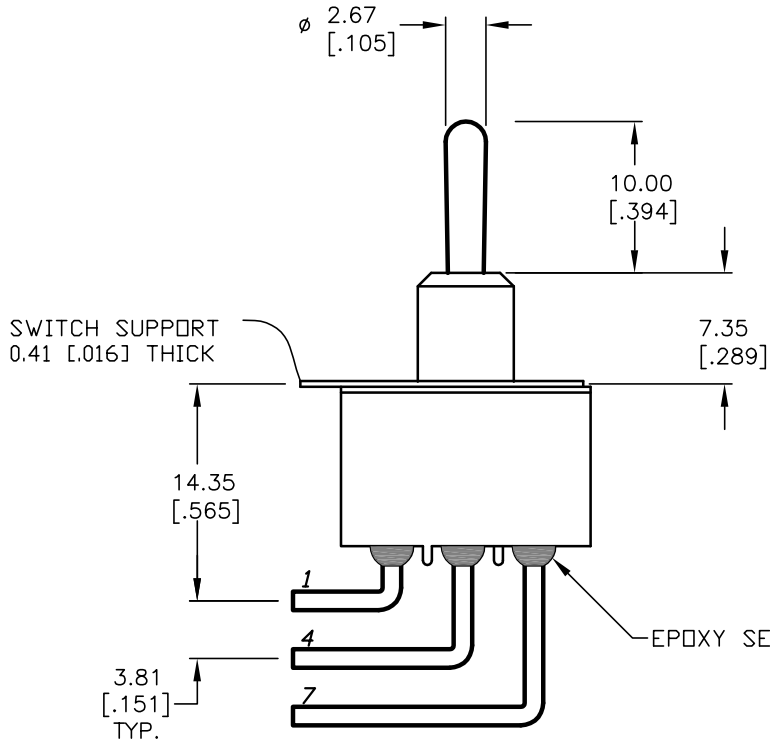


RECOMMENDED P.C.B. LAYOUT

SWITCH FUNCTION		
PDS. 1	PDS. 2	PDS. 3
ON	NONE	ON
2-3,5-6 8-9	OPEN	2-1,5-4 8-7



NOTES:

CIRCUIT: 3PDT

- ALL DIMENSIONS IN MM [INCH]
- GENERAL TOLERANCE: X.X=±0.4
X.XX=±0.25
- TERMINAL NUMBERS FOR REF ONLY
- RATING: 5A @120V or 28VDC
2A @250V
- CONTACT MATERIAL:
Copper Alloy W/Silver plate
- ELECTRIC LIFE: 50,000 make-and-break cycles at full load.
- INSULATION RESISTANCE: 1,000 Mega-OHM min.
- DIELECTRIC STRENGTH: 1,000 V RMS @sea level.
- OPERATING TEMP.: -30°C to 85°

E-SWITCH®

TITLE

1003P1T1B4M6QE

A	13654	RELEASED FOR PRODUCTION	12/15/03	AR
REV.	ECN No.	DESCRIPTION	DATE	CHKD

THE INFORMATION CONTAINED IN THIS DOCUMENT IS PROPRIETARY TO E-SWITCH AND IS NOT TO BE COPIED OR TRANSFERRED

SCALE

2:1

DATE

12/15/03

DR

AR

DWG

T131016

REV

A