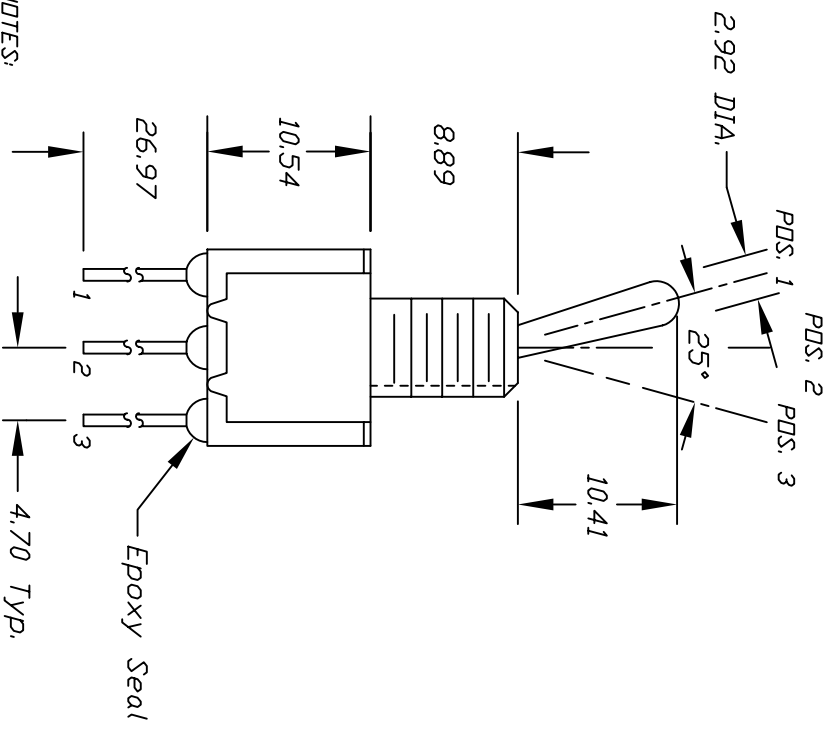
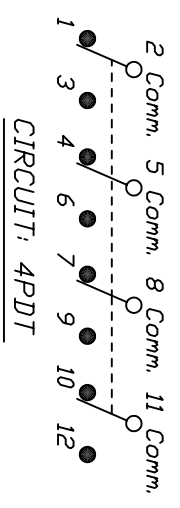
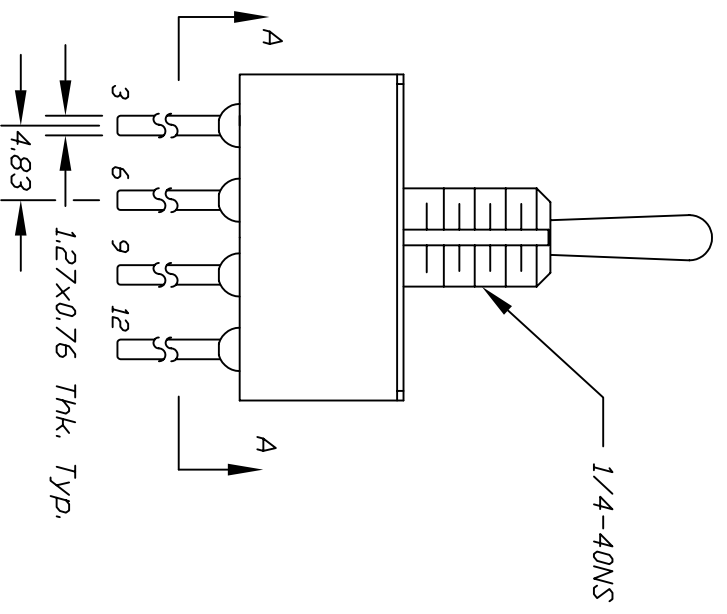


VIEW A-A



NOTES:  
 1. ALL DIMENSIONS IN MM  
 2. TERM. NOS. FOR REF ONLY  
 3. RATING: 0.4 (VA) Max. @20V Max. (AC or DC)



CONTACT CONFIGURATION

| SWITCH FUNCTION      |        |                      |
|----------------------|--------|----------------------|
| POS. 1               | POS. 2 | POS. 3               |
| DN                   | NONE   | DN                   |
| 2-3,5-6<br>8-9,11-12 | OPEN   | 2-1,5-4<br>8-7,11-10 |

|  |  |                         |  |      |  |         |  |
|--|--|-------------------------|--|------|--|---------|--|
| REV. A   |  | RELEASED FOR PRODUCTION |  | DATE |  | CHKD    |  |
| THE INFORMATION CONTAINED IN THIS DOCUMENT IS PROPRIETARY TO E-SWITCH AND IS NOT TO BE COPIED OR TRANSFERRED |  |                         |  |      |  |         |  |
| TOLERANCES   |  |                         |  |      |  |         |  |
| 0.0  |  | ±0.4                    |  | 0.00 |  | ±0.25   |  |
| TITLE  |  |                         |  |      |  |         |  |
| 100 4P-1 T1 B1 M5-4 R E  |  |                         |  |      |  |         |  |
| SCALE  |  | DATE                    |  | DR   |  | DWG     |  |
| 2:1  |  | 8/21/97                 |  | MM   |  | T141022 |  |
| REV. A   |  |                         |  |      |  |         |  |

**E-SWITCH®**