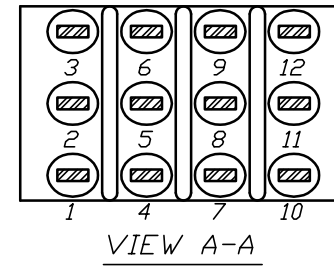
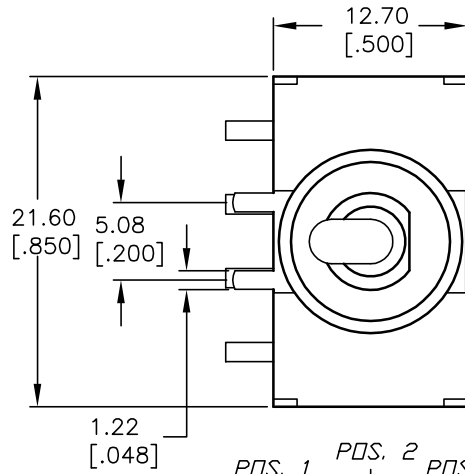
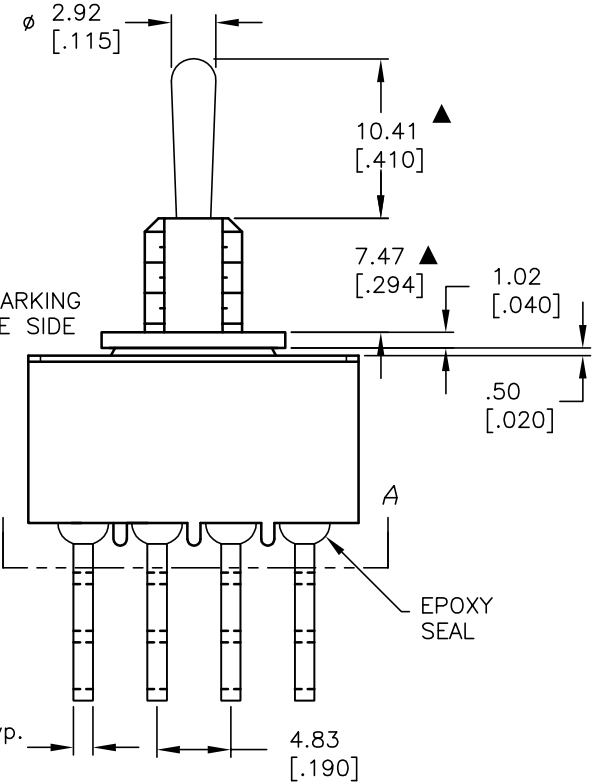
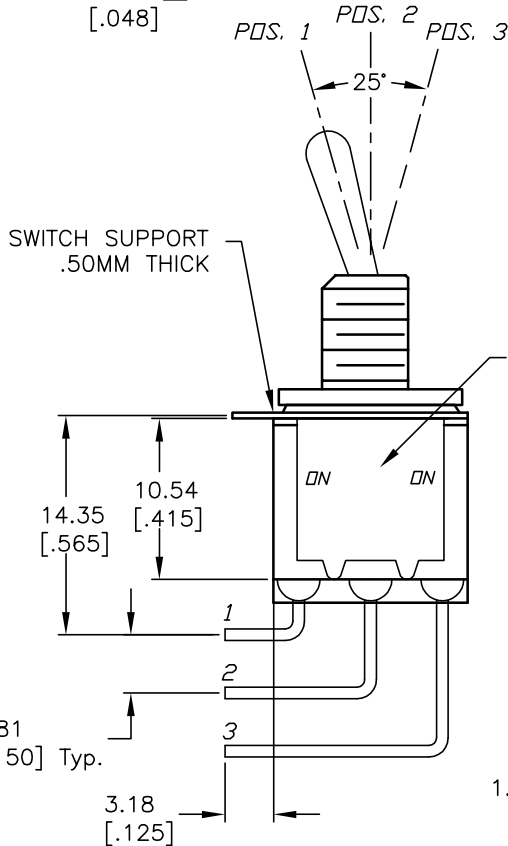


RECOMMENDED P.C.B. LAYOUT
SCALE: 2X



SWITCH FUNCTION		
PDS. 1 ON	PDS. 2 NONE	PDS. 3 ON
2-3,5-6	OPEN	2-1,5-4
8-9,11-12		8-7,11-10



NOTES:

- ALL DIMENSIONS IN MM [INCH]
- GENERAL TOLERANCE: X.X=±0.4
X.XX=±0.25
- TERMINAL NUMBERS FOR REF ONLY
- RATING: 5A @120VAC or 28VDC
2A @250VAC. w/resistive loads
- CONTACT & TERM MATERIAL:
▲ Cu Alloy w/Silver plate.
- ELECTRIC LIFE: 50,000 make-and-break cycles at full load.
- INSULATION RESISTANCE: 1,000 Mega-ohm min.
- DIELECTRIC STRENGTH: 1,000 V RMS @sea level.
- OPERATING TEMP.: -30°C to 85°C
- ▲ DENOTES CRITICAL PARAMETER.

E-SWITCH®

TITLE				
1004P1T1B9M7QE				
SCALE	DATE	DR	DWG	REV
2:1	4/15/04	AR	T147001	A

A	13914	RELEASED FOR PRODUCTION	4/15/04	AR
REV.	ECN No.	DESCRIPTION	DATE	CHKD

THE INFORMATION CONTAINED IN THIS DOCUMENT IS PROPRIETARY TO E-SWITCH AND IS NOT TO BE COPIED OR TRANSFERRED