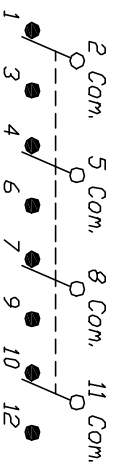


SWITCH FUNCTION		
PDS: 1	PDS: 2	PDS: 3
2-3,5-6 8-9,11-12	OPEN	2-1,5-4 8-7,11-10

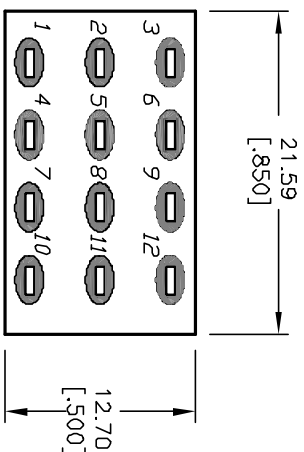
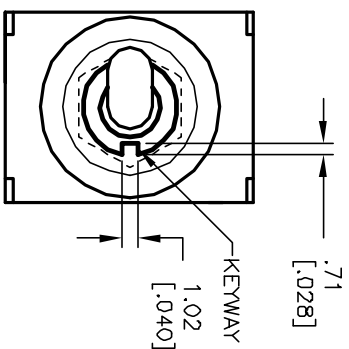
◇ MOMENTARY



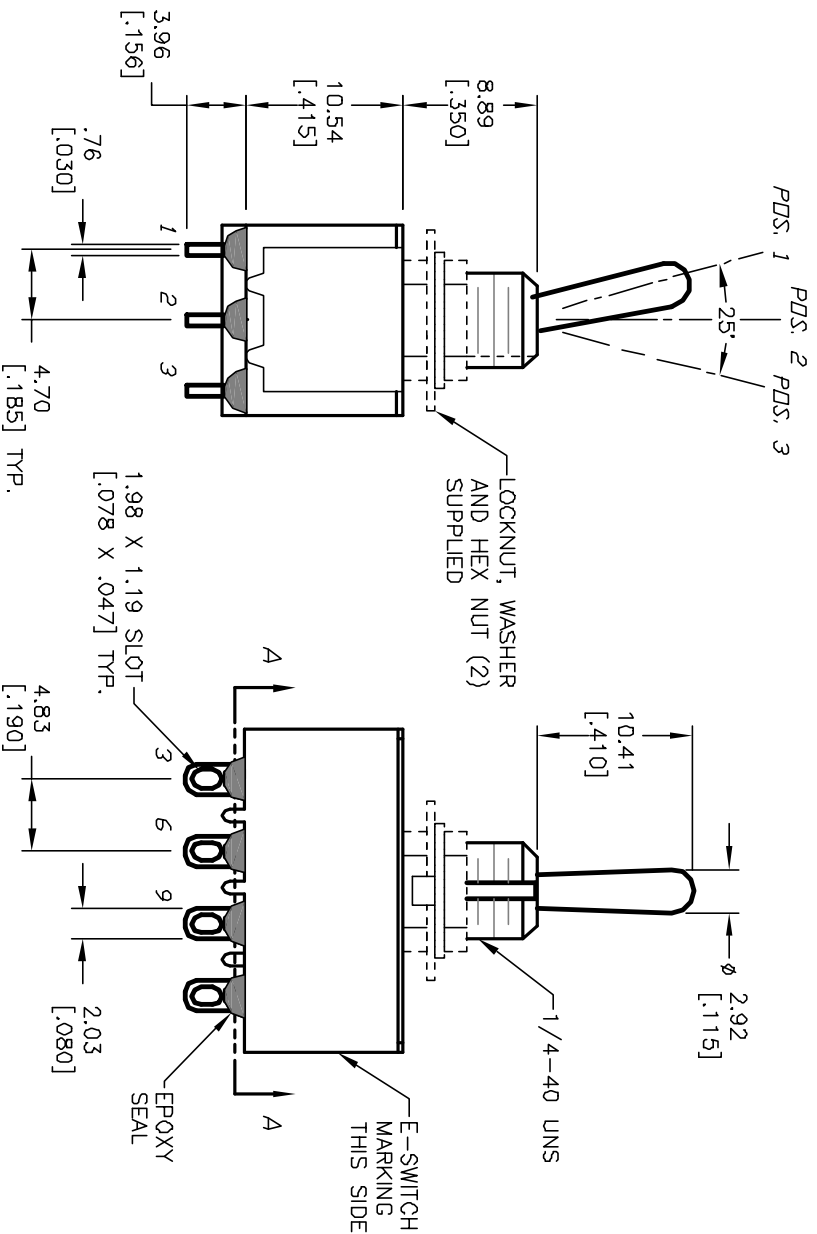
CIRCUIT: 4PDT

NOTES:

1. ALL DIMENSIONS IN MM [INCH]
2. GENERAL TOLERANCE: X.X=±0.4
X.XX=±0.25
3. TERMINAL NUMBERS FOR REF ONLY
4. RATING: 5A @120VACor 28VDC
2A @250VAC. w/resistive loads
5. CONTACT & TERM MATERIAL:
Copper Alloy w/Silver plate.
6. ELECTRIC LIFE: 50,000 make-and-break cycles
at full load.
7. INSULATION RESISTANCE: 1,000 Mega-ohm min.
8. DIELECTRIC STRENGTH: 1,000 V RMS @sea level.
9. OPERATING TEMP.: -30°C to 85°C



VIEW A-A



B		RELEASED FOR PRODUCTION		10/3/02		CJB		TITLE		100 4P-2 T1 B1 M1 Q E		SCALE		2:1		DATE		10/3/02		DR		CJB		DWG		T142003		REV		A	
A		12460		10/3/02		CJB		100 4P-2 T1 B1 M1 Q E		10/3/02		2:1		10/3/02		CJB		10/3/02		CJB		T142003		A							
REV.		ECN NO.		DATE		CHKD		TITLE		DATE		SCALE		DATE		DR		DWG		REV											

E-SWITCH®

THE INFORMATION CONTAINED IN THIS DOCUMENT IS PROPRIETARY TO E-SWITCH AND IS NOT TO BE COPIED OR TRANSMITTED