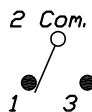


RECOMMENDED P.C.B LAYOUT

SCALE: 2X

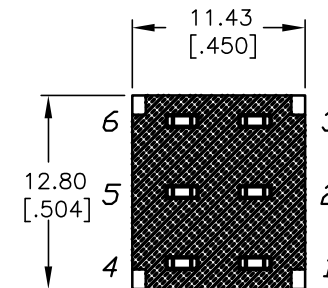
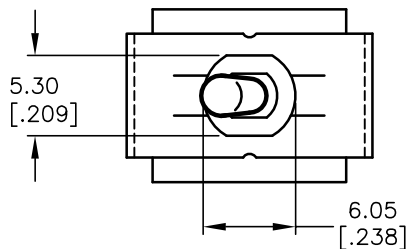


SPDT CIRCUIT CONTACT CONFIGURATION

SWITCH FUNCTION		
PDS. 1	PDS. 2	PDS. 3
ON	NONE	ON
2-3	OPEN	2-1

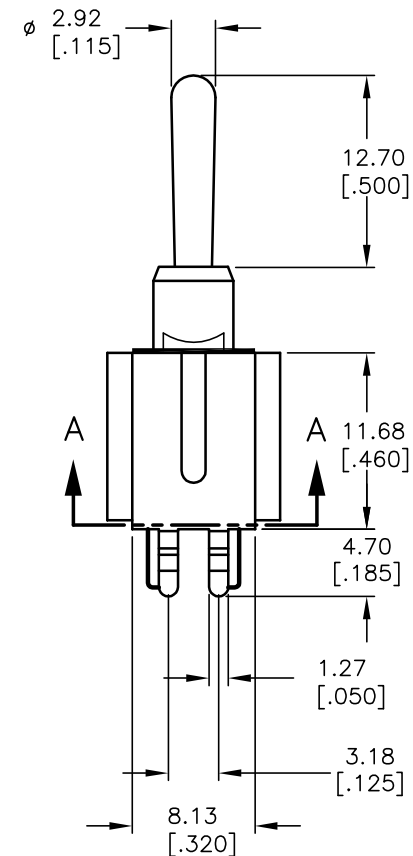
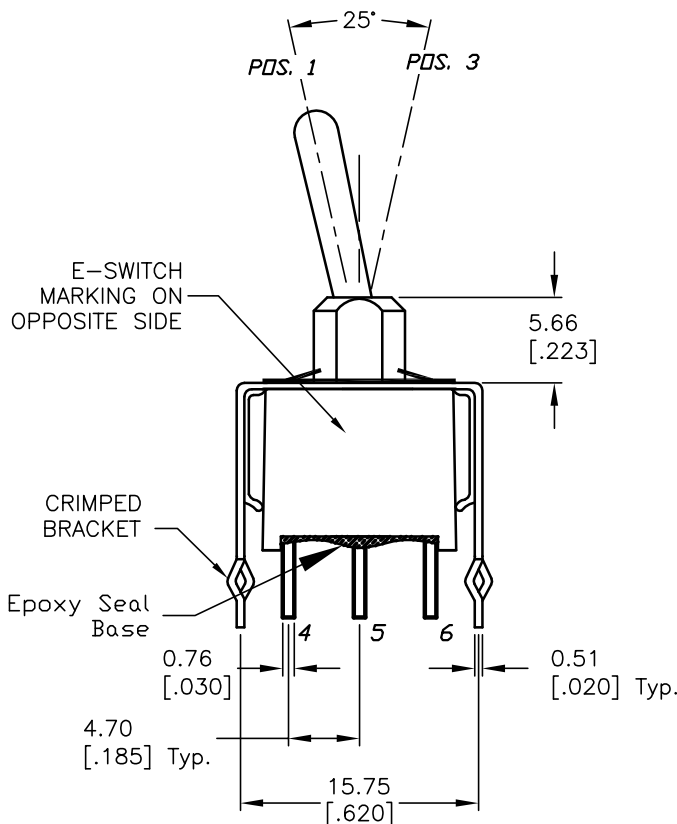
NOTES:

- ALL DIMENSIONS IN MM
- GENERAL TOLERANCE: X.X=±0.4
X.XX=±0.25
- TERMINAL NUMBERS FOR REF ONLY
- RATING: 5A @120VAC OR 28VDC
2A @250VAC
- FIXED TERM. & MOVING CONTACT: Cu Alloy w/Silver Plate
- ELECTRIC LIFE: 50,000 make-and-break cycles
at full load.
- INSULATION RESISTANCE: 1,000 Mega-ohm min.
- DIELECTRIC STRENGTH: 1,000 V RMS @sea level.
- OPERATING TEMP.: -30°C to 85°C



SECTION A-A

CONTACTS & BRACKET
REMOVED FOR CLAIRITY



E-SWITCH®

TITLE

100AWDP1T1B4VS21QE

A	13976	RELEASED FOR PRODUCTION	5/5/04	AR
REV.	ECN No.	DESCRIPTION	DATE	CHKD

THE INFORMATION CONTAINED IN THIS DOCUMENT
IS PROPRIETARY TO E-SWITCH AND IS
NOT TO BE COPIED OR TRANSFERRED

SCALE

2:1

DATE

5/5/04

DR

AR

DWG

T102111

REV

A