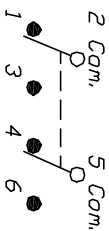


RECOMMENDED PCB LAYOUT

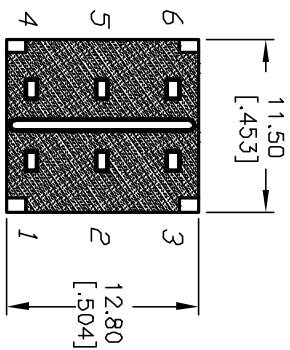
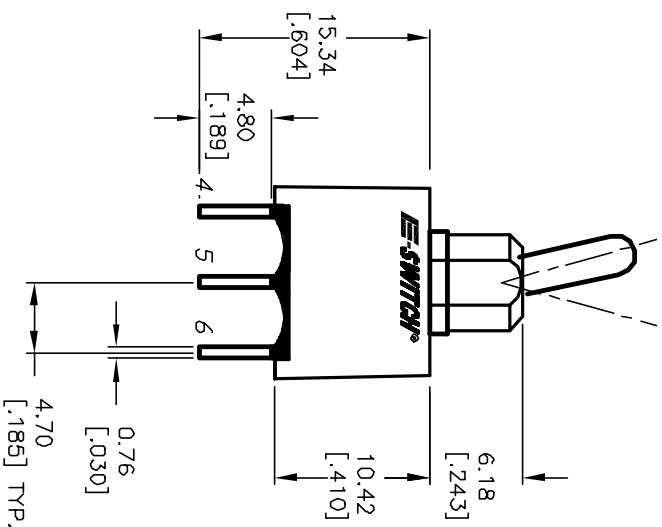
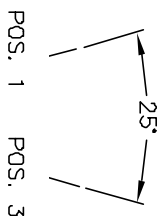
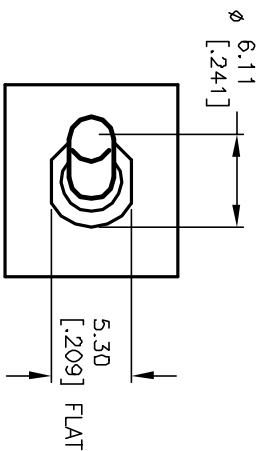


DPDT CIRCUIT CONTACT CONFIGURATION

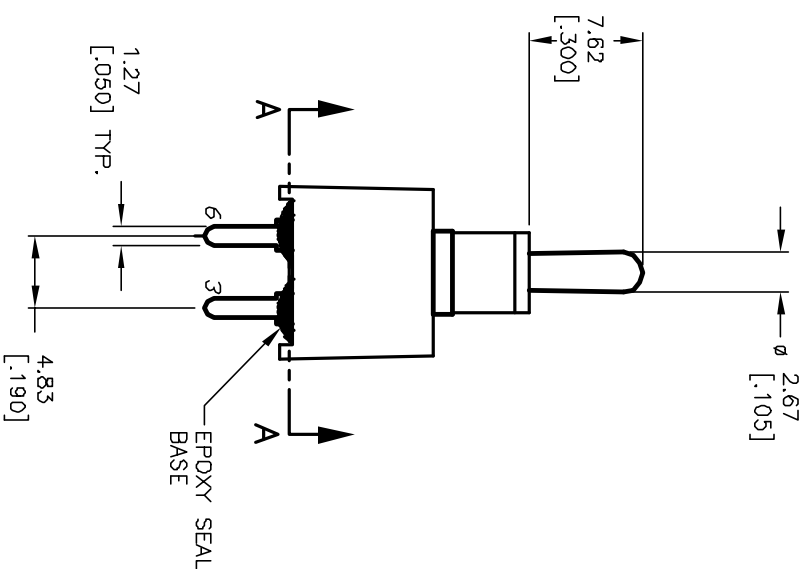
SWITCH FUNCTION		
POS. 1	POS. 2	POS. 3
DN	NONE	DN
2-3, 5-6	DPEN	2-1, 5-4

NOTES:

1. ALL DIMENSIONS IN MM [INCH]
2. GENERAL TOLERANCE: X.XX=±0.4 X.XXX=±0.25
3. TERMINAL NUMBERS FOR REF ONLY
4. RATING: 5A @120VAC or 28VDC  
2A @250VAC (w/RESISTIVE LOAD)
5. FIXED TERM. & MOVING CONTACT:  
Cu Alloy w/Silver plate
6. ELECTRIC LIFE: 40 000 make-and-break cycles  
at full load.
7. INSULATION RESISTANCE: 1,000 Mega-ohm min.
8. DIELECTRIC STRENGTH: 1,000 V RMS @sea level.
9. OPERATING TEMP.: -30°C to +85°C



SECTION A-A



**E-SWITCH®**

REV.	ECN NO.	DESCRIPTION	DATE	CHK'D
B	11981	REVISED AND REDRAWN	3/1/02	CB

TITLE	SCALE	DATE	DR	DWG	REV
100A WDP-1 T2 B4 M2 Q E	2:1	3/1/02	CB	T102601	B

THE INFORMATION CONTAINED IN THIS DOCUMENT IS PREPARED FOR THE SWITCH AND IS NOT TO BE COPIED OR TRANSMITTED