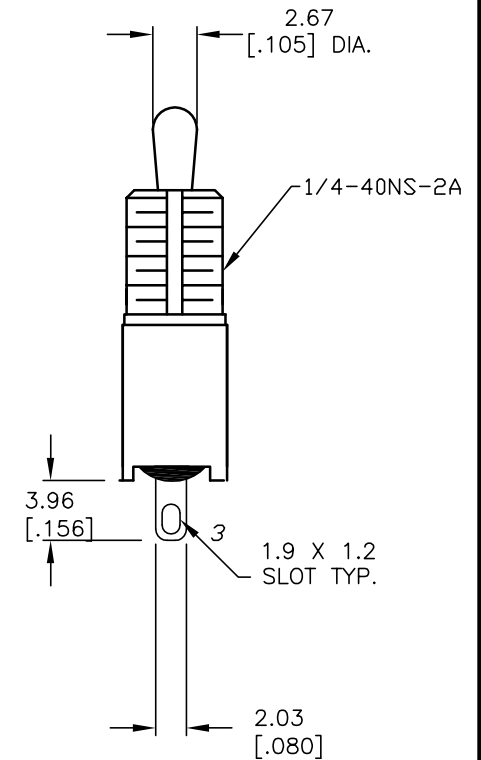
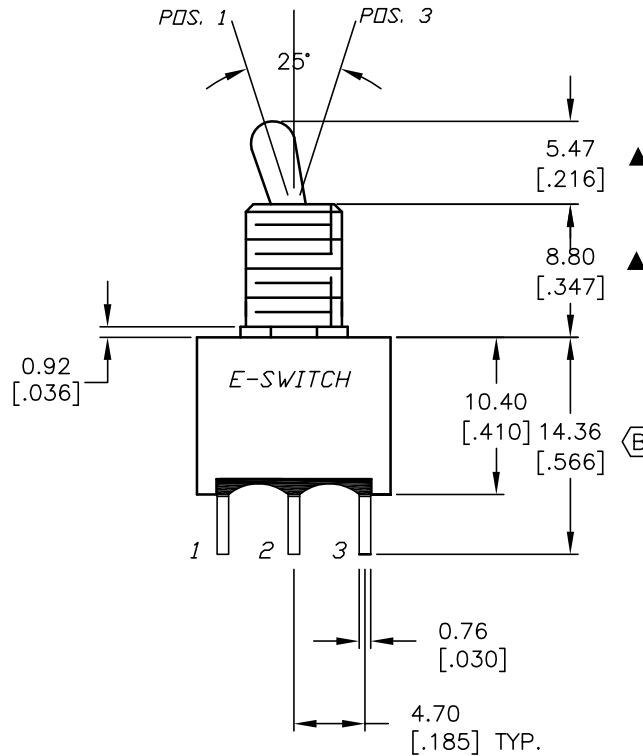


CIRCUIT: SPDT

SWITCH FUNCTION		
PDS. 1	PDS. 2	PDS. 3
DN	NONE	DN
2-3	OPEN	2-1

NOTES:

1. ALL DIMENSIONS IN MM [INCH]
2. GENERAL TOLERANCE: X.X=±0.4
X.XX=±0.25
3. TERMINAL NUMBERS FOR REF ONLY
4. RATING: 5A @120VAC or 28VDC
2A @250VAC (w/RESISTIVE LOAD)
- ▲ 5. FIXED TERM. & MOVING CONTACT:
Cu Alloy w/Silver plate
6. ELECTRIC LIFE: 40,000 make-and-break cycles
at full load.
7. INSULATION RESISTANCE: 1,000 Mega-ohm min.
8. DIELECTRIC STRENGTH: 1,000 V RMS @sea level.
9. OPERATING TEMP.: -30°C to 85°C
10. ▲ DENOTES CRITICAL PARAMETER.



E-SWITCH®

B	14334	10.4 WAS 10.54, 14.36 WAS 15.34	9/21/04	AR
A	14285	RELEASED FOR PRODUCTION	9/2/04	AR
REV.	ECN No.	DESCRIPTION	DATE	CHKD

THE INFORMATION CONTAINED IN THIS DOCUMENT IS PROPRIETARY TO E-SWITCH AND IS NOT TO BE COPIED OR TRANSFERRED

TITLE				
100AWSP1T2B1M1QE				
SCALE	DATE	DR	DWG	REV
2:1	9/2/04	AR	T101034	B