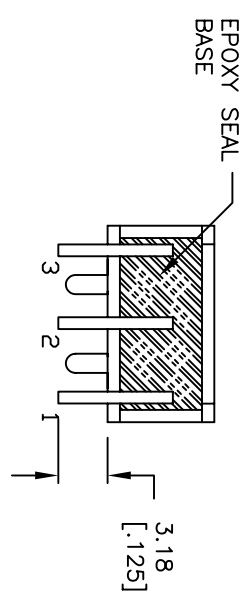
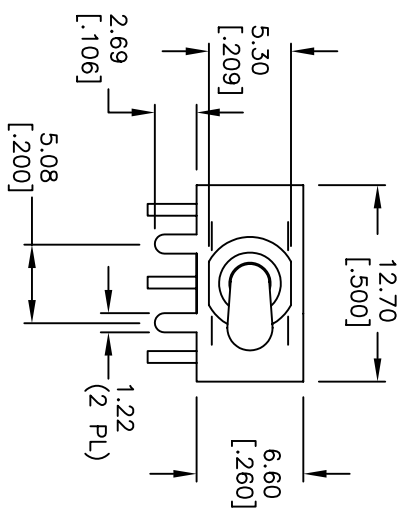
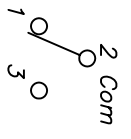


RECOMMENDED P.C.B. LAYOUT



REAR VIEW

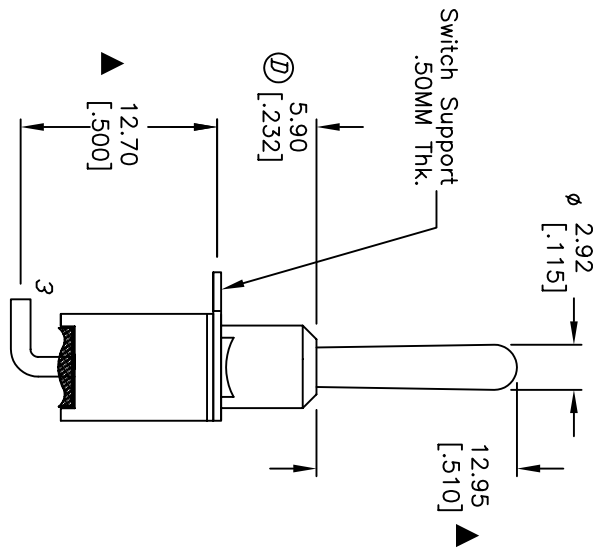
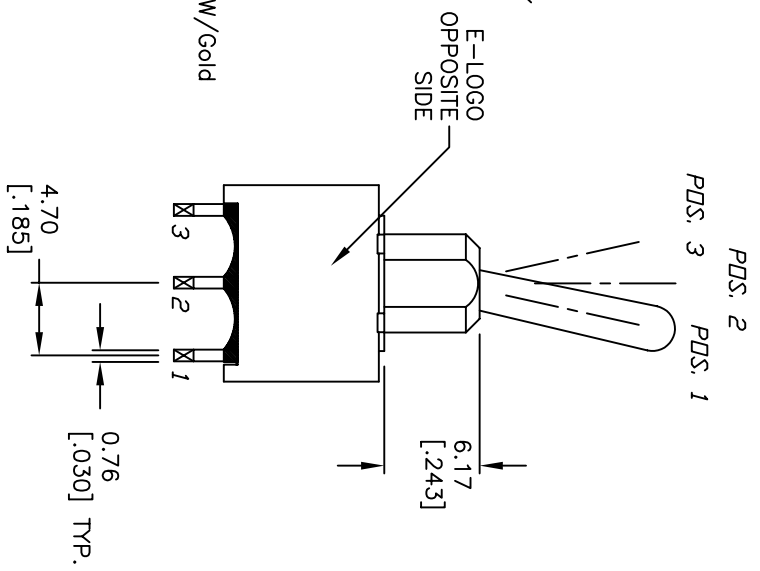


CIRCUIT: SPDT CONTACT CONFIGURATION

SWITCH FUNCTION	POS. 1	POS. 2	POS. 3
DN	↙	↘	↘
NDN	↙	↘	↘
OPEN	↙	↘	↘
	2-3	2-1	2-1

< > = MOMENTARY

- NOTES:
1. ALL DIMENSIONS IN MM [INCH]
 2. GENERAL TOLERANCE: X.X=±0.4
X.XX=±0.25
 3. TERM. NOS. FOR REF. ONLY
 4. RATING: 0.4(VA) Max. @20V (AC or DC)
 5. FIXED TERM. & MOVING CONTACT: COPPER ALLOY PLATE over NI Plate W/Gold
 6. ELECTRICAL LIFE: 50,000 make-and-break cycles at full load.
 7. INSULATION RESISTANCE: 1,000M ohm min.
 8. DIELECTRIC STRENGTH: 1,000V RMS @sea level.
 9. OPERATING TEMP.: -30°C to +85°C.
 - ⑩: OPERATING TEMP.: -30°C to +85°C.
 - ⑪: DENOTES CRITICAL PARAMETER
 - ⑫: 2002/95/EC (ROHS) COMPLIANT



REV.	ECN No.	DESCRIPTION	DATE	CHKD
D	15876	CHANGES NOTED	3/17/06	PH
C	15576	DIM FROM 6.9 TO 6.6	12/2/05	PH
B	12883	REVERSED PIN OUT/ POS	3/5/03	--
A	12047	RELEASED FOR PRODUCTION	4/9/02	CJB

CHANGES NOTED		TITLE		SCALE	DATE	DR	DWG	REV
3/17/06	PH	100A WSP-2 T1 B4 M6 R E (GOLD CONTACTS)	2:1	4/9/02	CJB	T101022	D	

E-SWITCH®

THE INFORMATION CONTAINED IN THIS DOCUMENT IS PROPRIETARY TO E-SWITCH AND IS NOT TO BE COPIED OR TRANSMITTED