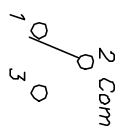


RECOMMENDED P.C.B. LAYOUT

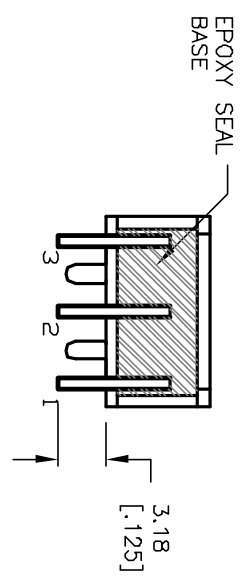
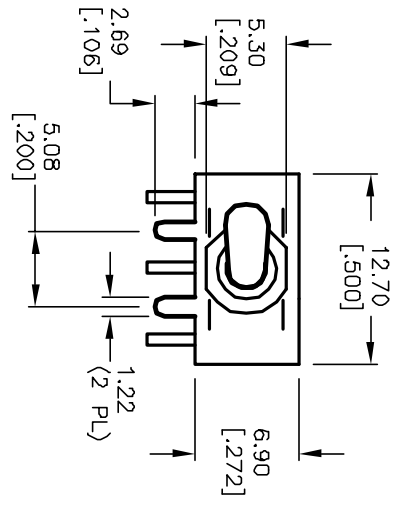


CIRCUIT: SPDT  
CONTACT CONFIGURATION

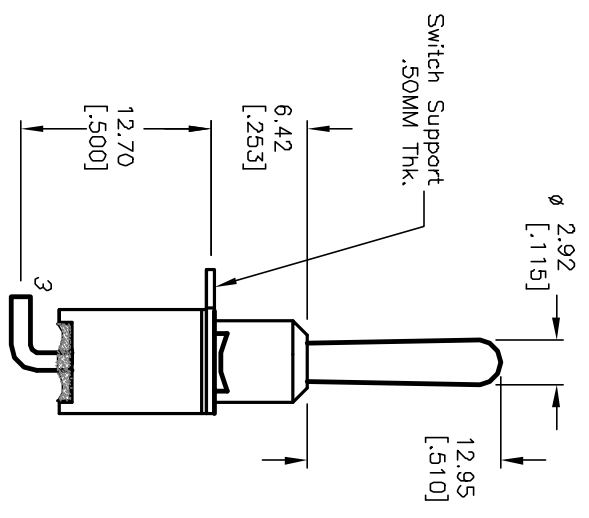
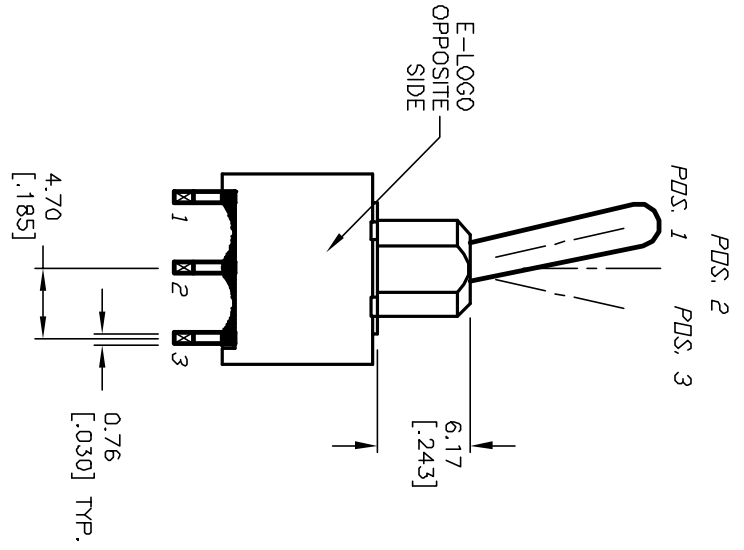
SWITCH FUNCTION		
POS. 1	POS. 2	POS. 3
DN	OFF	DN
2-3	OPEN	2-1

NOTES:

1. ALL DIMENSIONS IN MM [INCH]
2. GENERAL TOLERANCE: X.X=±0.4 X.XX=±0.25
3. TERM. NOS. FOR REF. ONLY
4. RATING: 5A @120VAC or 28VDC:  
2A @250VAC (Resistive Load)
5. FIXED TERM. & MOVING CONTACT:  
COPPER ALLOY W/SILVER PLATE.
6. ELECTRICAL LIFE: 40,000 make-and-break cycles at full load.
7. INSULATION RESISTANCE: 1,000M ohm min.
8. DIELECTRIC STRENGTH: 1,000V RMS @sea level.
9. OPERATING TEMP.: -30°C to +85°C.



REAR VIEW



REV.	ECN NO.	DESCRIPTION	DATE	CHK'D
B	12490	REVISED NOTE 4 & 5	10/16/02	CJB
A	12403	RELEASED FOR PRODUCTION	9/4/02	CJB

THE INFORMATION CONTAINED IN THIS DOCUMENT IS PROPRIETARY TO E-SWITCH AND IS NOT TO BE COPIED OR TRANSMITTED	TITLE	SCALE	DATE	DR	DWG	REV
	100A WSP-3 T1 B4 M6 Q E	2:1	9/4/02	CJB	T103005	B

