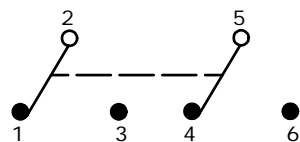
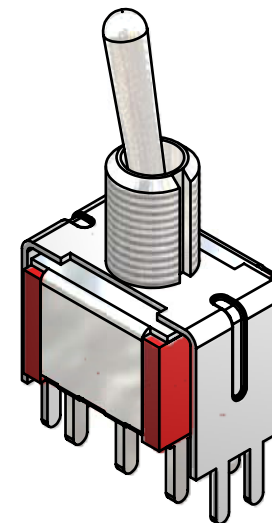
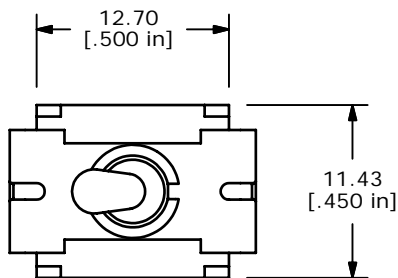


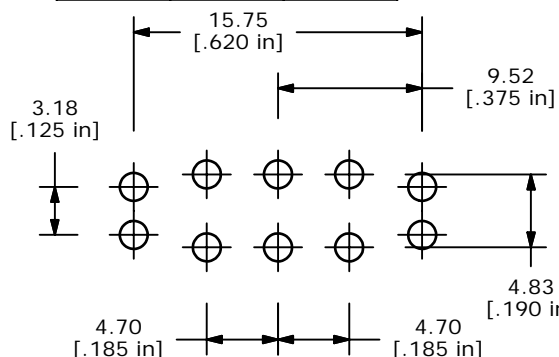
SWITCH FUNCTION		
POS. 1	POS. 2	POS. 3
ON	NONE	ON
2-3, 5-6	N/A	2-1, 5-4



CIRCUIT: DPDT



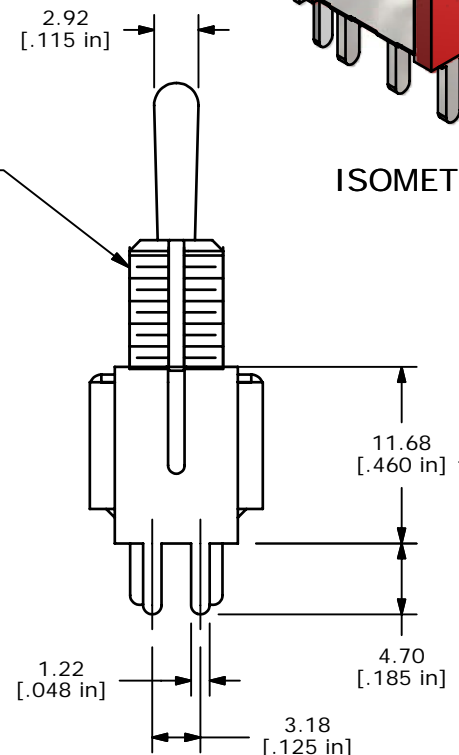
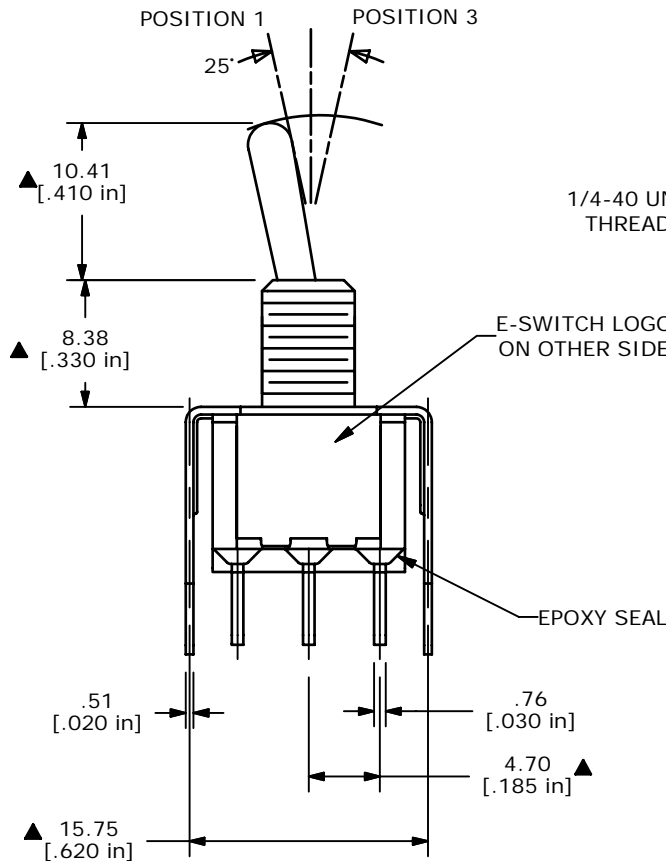
ISOMETRIC



RECOMMENDED PANEL MOUNTING

NOTES:

1. ALL DIMENSIONS IN MM [INCH]
2. GENERAL TOLERANCE: x.x=±0.4
x.xx=±0.25
3. TERM. NUMBERS FOR REFERENCE ONLY
- ▲4. RATING: 2 AMPS @250VAC
5 AMPS @120VAC OR 28VDC
- ▲5. FIXED TERM. & MOVING CONTACT:
COPPER ALLOY W/SLIVER PLATE
OVER NICKEL PLATE
6. ELECTRICAL LIFE: 40,000 MAKE-AND
BREAK CYCLES AT FULL LOAD
7. INSULATION RESISTANCE: 1,000M OHM MIN.
8. DIELECTRIC STRENGTH: 1000V RMS
@ SEA LEVEL
9. OPERATING TEMP: -30°C to 85°C
10. ▲ DENOTES CRITICAL PARAMETER
11. 2002/95/EC (ROHS) COMPLIANT
12. CONTACT MATERIAL: SILVER



REV	PCR NO	DESCRIPTION	DATE	BY
E	16802	FIXED NOTES	12/28/06	TN
D	16483	PANEL DIM. FROM 19.05 TO 15.75	9/22/06	TN
C	16345	CHANGED "8.89" DIM TO "8.38"	8/22/06	BO
B	16080	REVISED AND REDRAWN	6/2/06	CT

E-SWITCH®

TITLE 100DP1T1B1VS2QE

THE INFORMATION CONTAINED IN THIS DOCUMENT IS PROPRIETARY TO E-SWITCH AND IS NOT TO BE COPIED OR TRANSFERRED

SCALE	DATE	DR	DWG	REV
2:1	12/28/2006	TN	T121070	E