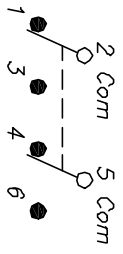


RECOMMENDED P.C.B. LAYOUT  
SCALE: 2:1

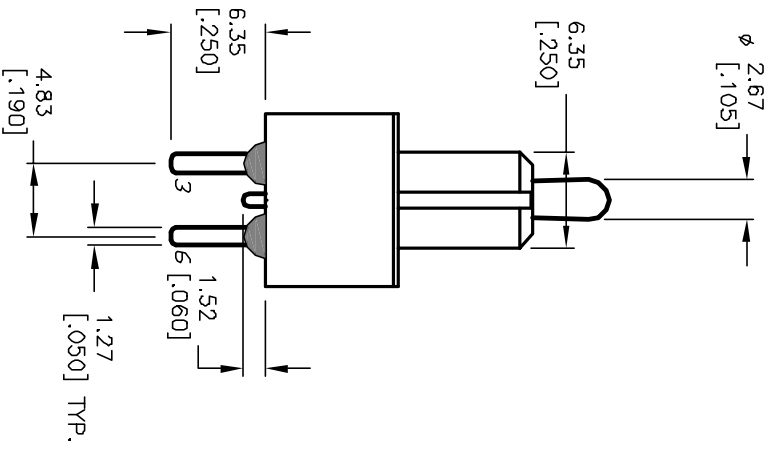
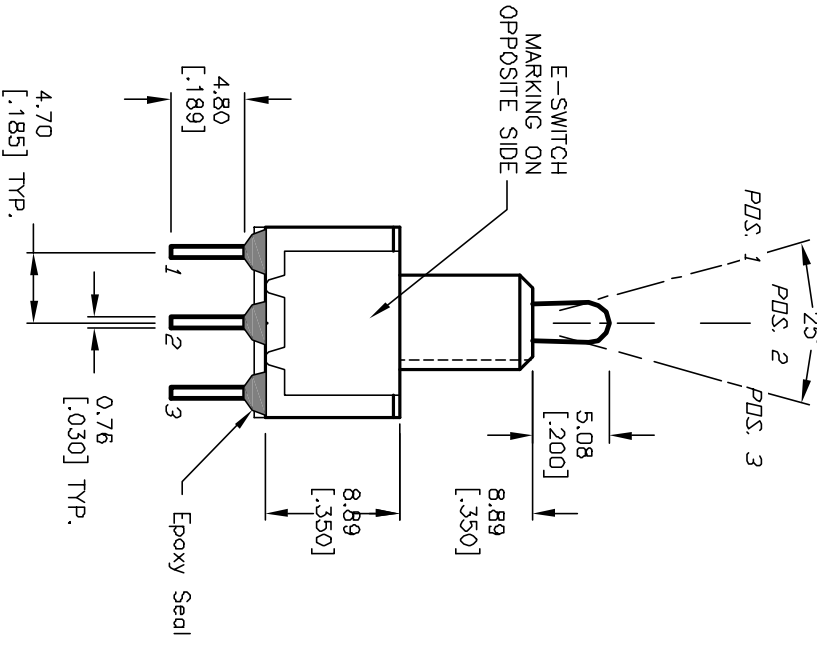
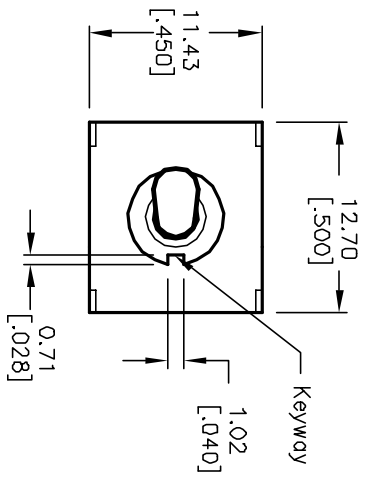


CIRCUIT: DPDT

SWITCH FUNCTION	PDS. 1	PDS. 2	PDS. 3
DN	UP	UP	UP
DN	NONE	NONE	DN
2-3-5-6	OPEN	OPEN	2-1-5-4

NOTES:

1. ALL DIMENSIONS IN MM [INCH]
2. GENERAL TOLERANCE: X.X=±0.4  
X.XX=±0.25
3. TERM. NOS. FOR REF. ONLY
4. RATING: 0.4VA @20V max. AC or DC
5. MATERIALS: FIXED TERM. & MOVING CONTACT:  
Copper Alloy W/Gold plate over  
Nickel plate.
6. ELECTRICAL LIFE: 50,000 make-and-break  
cycles at full load.
7. INSULATION RESISTANCE: 1,000M ohm min.
8. DIELECTRIC STRENGTH: 1000V RMS @sea level
9. OPERATING TEMP.: -30°C to 85°C



REV.	ECN No.	DESCRIPTION	DATE	CHKD	SCALE	DATE	DR	DWG	REV
A	12517	RELEASED FOR PRODUCTION	10/28/02	CJB	2:1	10/28/02	CB	T121089	A
TITLE: 100 DP-1 T2 B2 M2 R E (GOLD CONTACTS) THE INFORMATION CONTAINED IN THIS DOCUMENT IS PROPRIETARY TO E-SWITCH AND IS NOT TO BE COPIED OR TRANSMITTED									