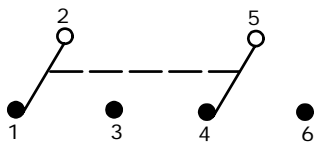


PC MOUNTING

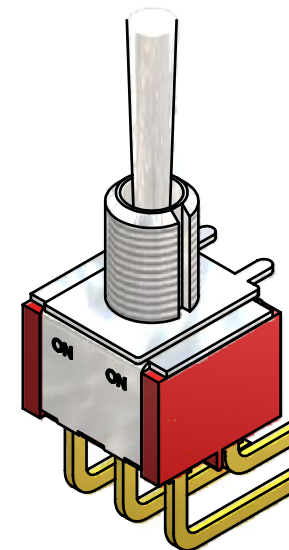
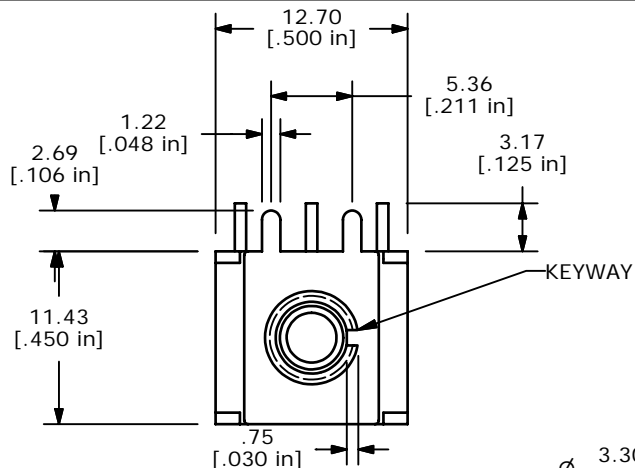
| SWITCH FUNCTION |        |          |
|-----------------|--------|----------|
| POS. 1          | POS. 2 | POS. 3   |
|                 |        |          |
| ON              | NONE   | ON       |
| 2-3, 5-6        | OPEN   | 2-1, 5-4 |



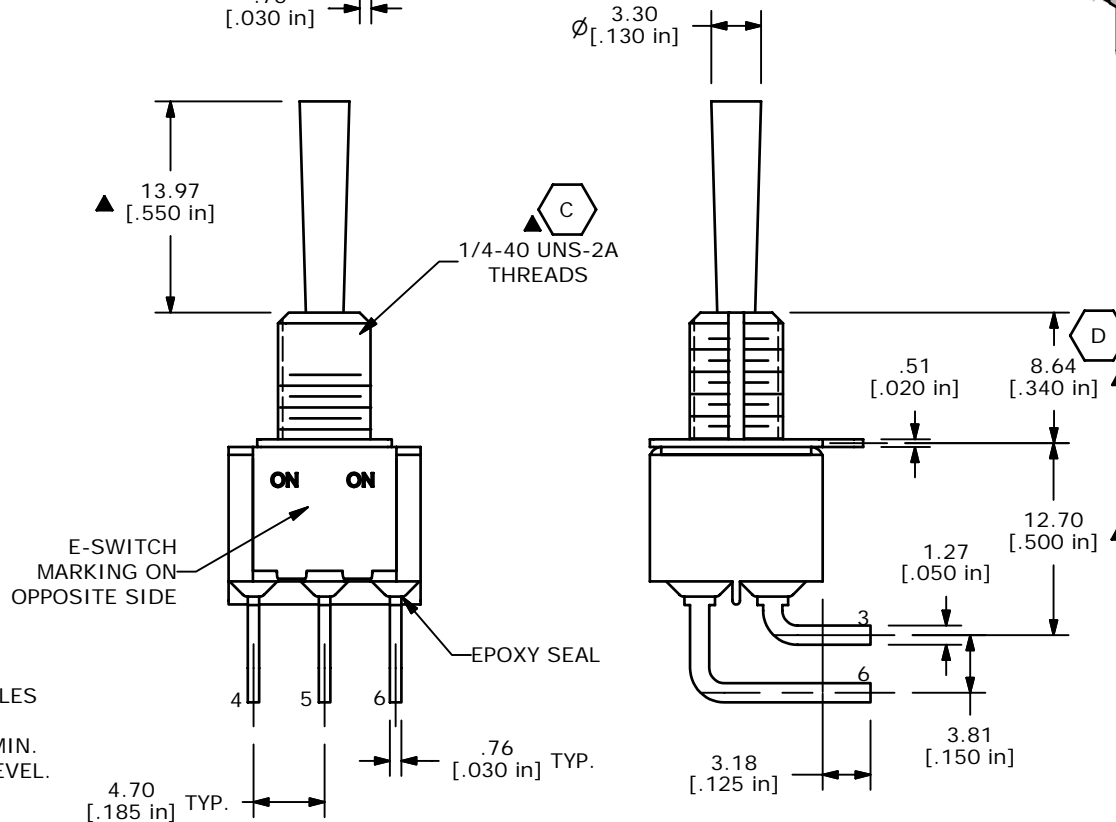
CIRCUIT: DPDT

NOTE:

- ALL DIMENSIONS IN MM [INCH]
- GENERAL TOLERANCE: X.X=±0.4  
X.XX=±0.25
- TERMINAL NUMBERS FOR REF ONLY
- ▲ PLATING MATERIAL: GOLD
- RATING: 0.4VA MAX. @20V MAX. (AC OR DC)
- ELECTRIC LIFE: 50,000 MAKE-AND-BREAK CYCLES AT FULL LOAD.
- INSULATION RESISTANCE: 1,000 MEGA-OHM MIN.
- DIELECTRIC STRENGTH: 1,000 V RMS @SEA LEVEL.
- OPERATING TEMP.: -30°C to 85°C
- ▲ DENOTES CRITICAL PARAMETER.



ISOMETRIC



E-SWITCH MARKING ON OPPOSITE SIDE

EPOXY SEAL

|     |        |                              |         |     |
|-----|--------|------------------------------|---------|-----|
| D   | 16316  | CHANGED "9.15" DIM TO "8.64" | 8/15/06 | BO  |
| C   | 14858  | CORRECTED MISTAKE            | 4/18/05 | JB  |
| B   | 14852  | REVISED AND REDRAWN          | 4/15/05 | JEB |
| REV | PCR NO | DESCRIPTION                  | DATE    | BY  |

THE INFORMATION CONTAINED IN THIS DOCUMENT IS PROPRIETARY TO E-SWITCH AND IS NOT TO BE COPIED OR TRANSFERRED



|                      |                 |        |             |       |
|----------------------|-----------------|--------|-------------|-------|
| TITLE 100DP1T3B1M6RE |                 |        |             |       |
| SCALE 2:1            | DATE 12/26/2002 | DR CJB | DWG T121062 | REV D |