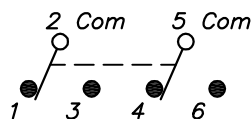


RECOMMENDED P.C.B. LAYOUT

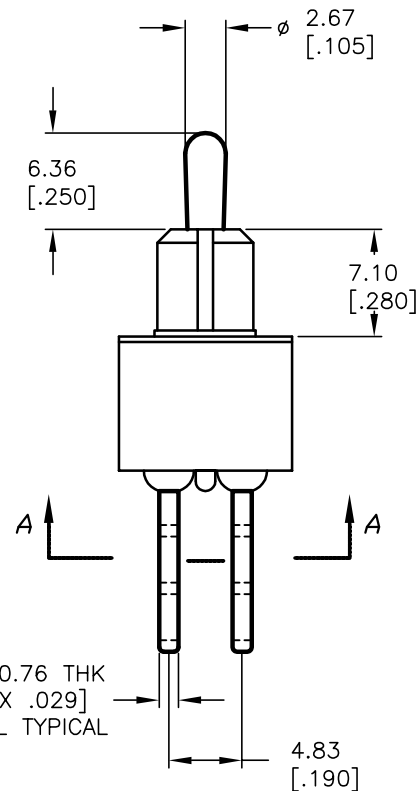
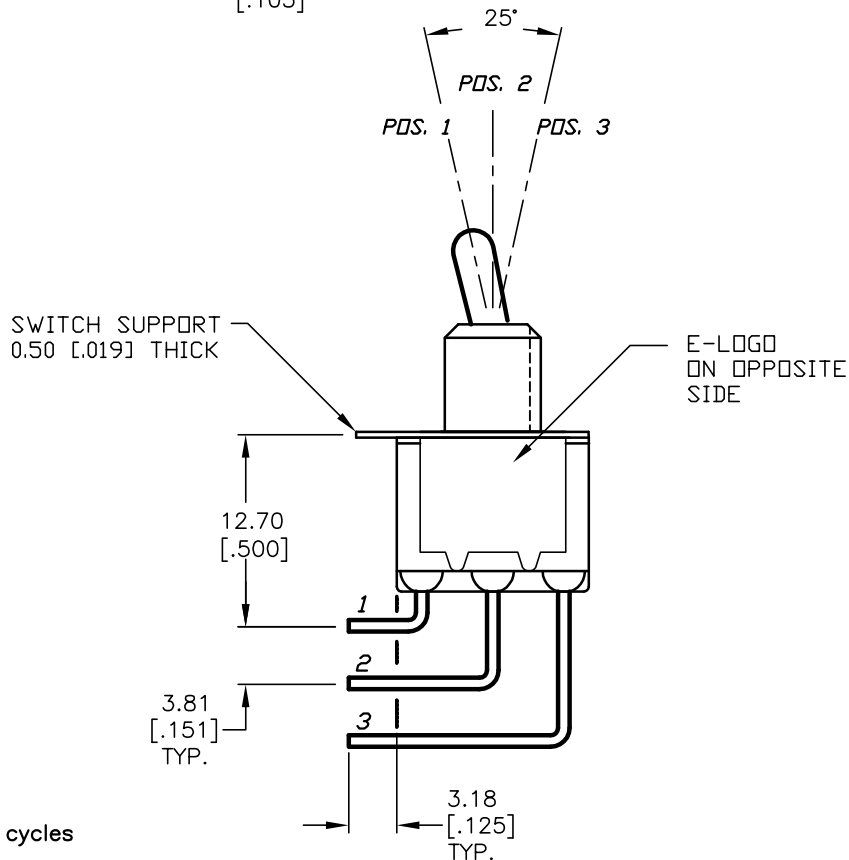
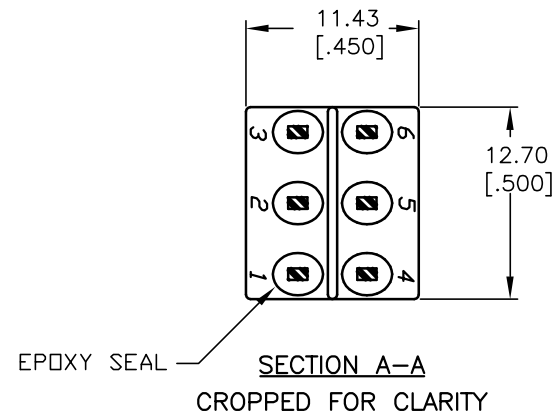
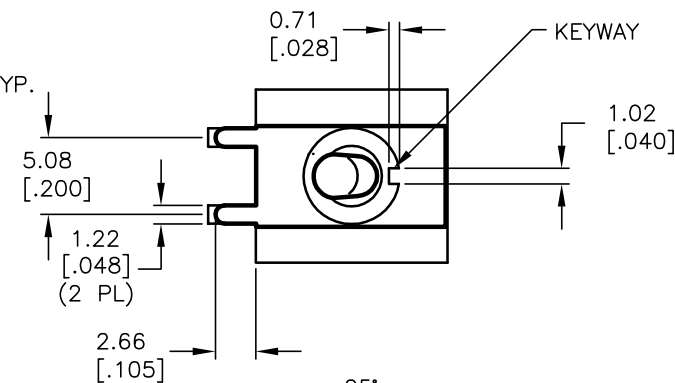


CIRCUIT: DPDT
CONTACT CONFIGURATION

SWITCH FUNCTION		
PDS. 1	PDS. 2	PDS. 3
ON	OFF	ON
2-3,5-6	OPEN	2-1,5-4

NOTES:

- ALL DIMENSIONS IN MM [INCH]
- GENERAL TOLERANCE: X.X=±0.4
X.XX=±0.25
- TERM. NOS. FOR REF. ONLY
- RATING: 5A @120VAC or 28VDC
2A @250VAC.
- FIXED TERM. & MOVING CONTACT:
Copper Alloy W/Silver plate.
- ELECTRICAL LIFE: 50,000 make-and-break cycles
at full load.
- INSULATION RESISTANCE: 1,000M ohm min.
- DIELECTRIC STRENGTH: 1,000V RMS @sea level.
- OPERATING TEMP.: -30°C to +85°C.



E-SWITCH®

TITLE		100DP3T2B4M7QE		
SCALE	DATE	DR	DWG	REV
2:1	12/4/03	AR	T123025	A

A	13638	RELEASED FOR PRODUCTION	12/4/03	AR
REV.	ECN No.	DESCRIPTION	DATE	CHKD
THE INFORMATION CONTAINED IN THIS DOCUMENT IS PROPRIETARY TO E-SWITCH AND IS NOT TO BE COPIED OR TRANSFERRED				