

PC MOUNTING

SWITCH FUNCTION		
POS. 1	POS. 2	POS. 3
(ON)	OFF	(ON)
2-3, 5-6	OPEN	2-1, 5-4

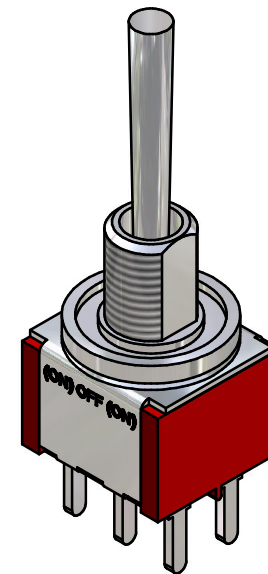
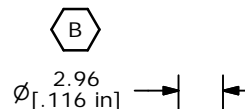
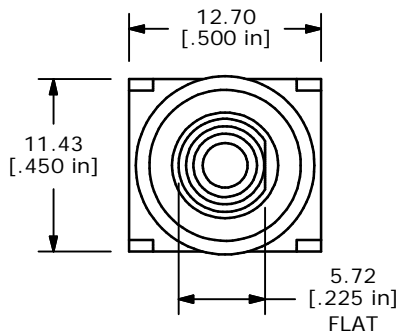
(ON) = MOMENTARY



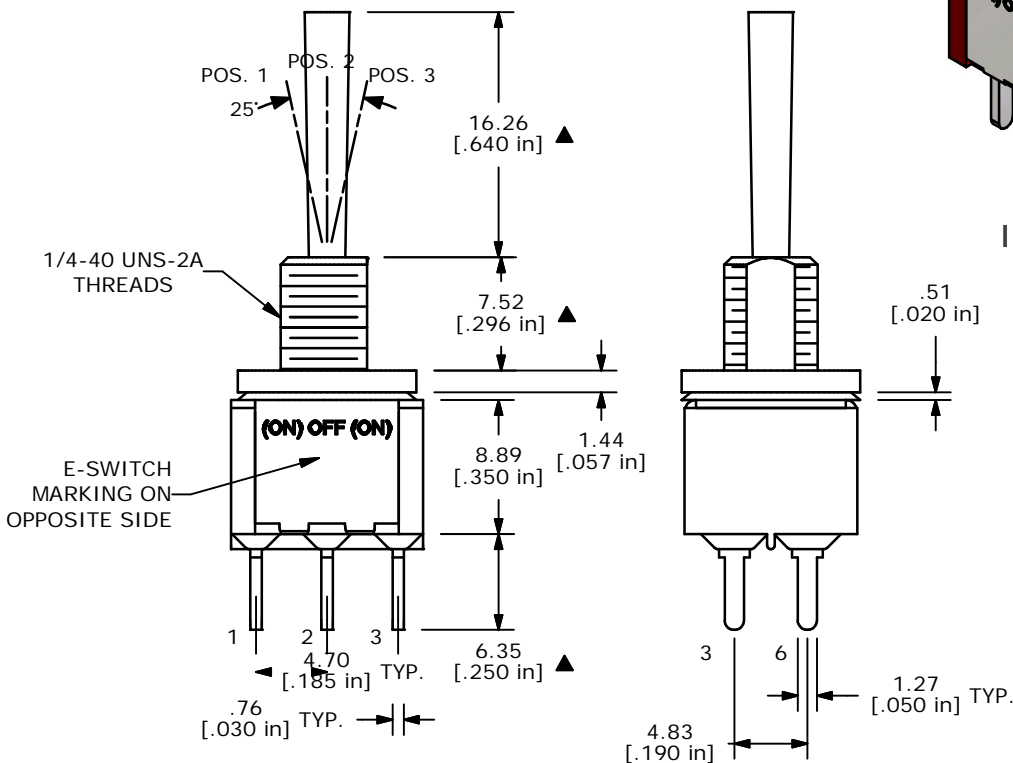
CIRCUIT: DPDT

NOTE:

- ALL DIMENSIONS IN MM [INCH]
- GENERAL TOLERANCE: X.X=±0.4  
X.XX=±0.25
- TERMINAL NUMBERS FOR REF ONLY
- ▲ PLATING MATERIAL: SILVER
- RATING: 5 AMPS W/RESISTIVE LOAD @ 120VAC OR 28VDC  
2 AMPS W/RESISTIVE LOAD @ 250VAC
- ELECTRIC LIFE: 40,000 MAKE-AND-BREAK CYCLES AT FULL LOAD.
- INSULATION RESISTANCE: 1,000 MEGA-OHM MIN.
- DIELECTRIC STRENGTH: 1,000 V RMS @SEA LEVEL.
- OPERATING TEMP.: -30°C to 85°C
- ▲ DENOTES CRITICAL PARAMETER.



ISOMETRIC



**E-SWITCH®**

B	14754	CORRECTED ACTUATOR DIA.	3/9/05	AR
A	14593	RELEASED FOR PRODUCTION	12/29/04	AR
REV	PCR NO	DESCRIPTION	DATE	BY

TITLE 100DP4T4B9M2QE				
SCALE	DATE	DR	DWG	REV
2:1	12/29/04	AR	T124016	B

THE INFORMATION CONTAINED IN THIS DOCUMENT IS PROPRIETARY TO E-SWITCH AND IS NOT TO BE COPIED OR TRANSFERRED