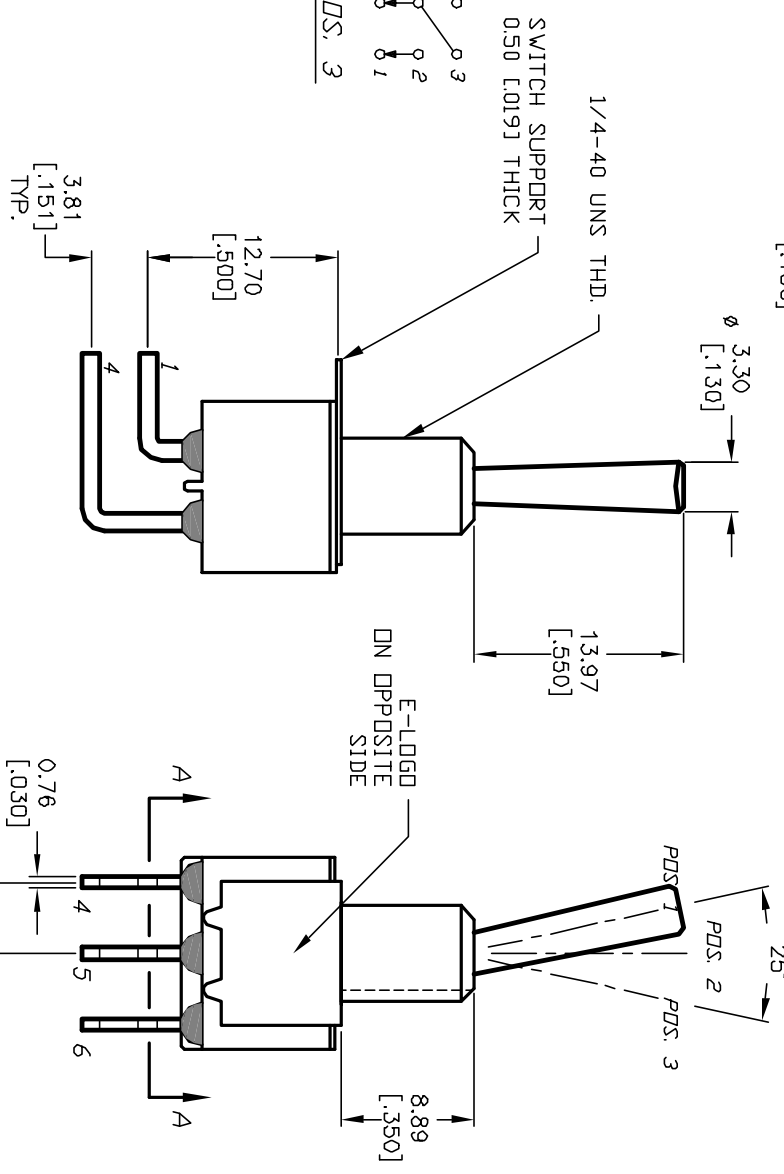
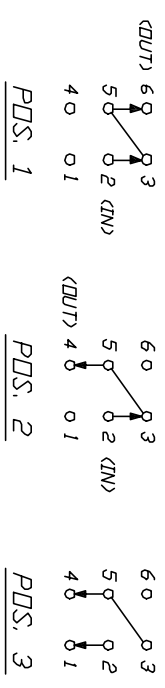


SWITCH FUNCTION		
POS. 1	POS. 2	POS. 3
DN	DN	DN
2-3,5-6	2-3,5-4	2-1,5-4



NOTES:

1. ALL DIMENSIONS IN MM [INCH]
2. GENERAL TOLERANCE: X.X=±0.4 X.XX=±0.25
3. TERM. NOS. FOR REF. ONLY
4. RATING: 0.4VA @20V (AC OR DC)
5. FIXED TERM. & MOVING CONTACT:  
Copper Alloy w/Gold plate over Nickel plate.
6. ELECTRICAL LIFE: 50,000 make-and-break cycles at full load.
7. INSULATION RESISTANCE: 1,000M ohm min.
8. DIELECTRIC STRENGTH: 1,000V RMS @sea level.
9. OPERATING TEMP.: -30°C to +85°C.

A	12850	RELEASED	2/27/03	CJB
REV.	ECN No.	DESCRIPTION	DATE	CHK'D

TITLE				
100 DP-6 T3 B2 M6 R E (GOLD CONTACTS)				
SCALE	DATE	DR	DWG	REV
2:1	2/27/03	CJB	T126062	A



THE INFORMATION CONTAINED IN THIS DOCUMENT IS PROPRIETARY TO E-SWITCH AND IS NOT TO BE COPIED OR TRANSMITTED