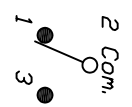


RECOMMENDED PCB LAYOUT

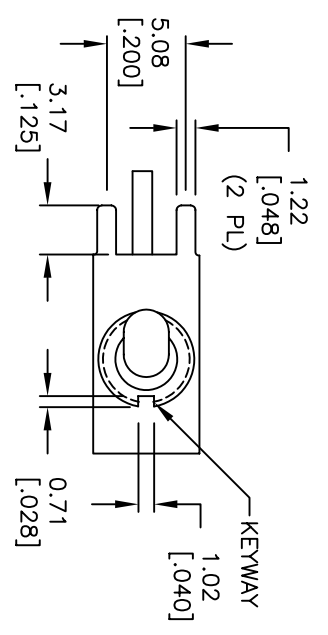


SPDT CIRCUIT CONTACT CONFIGURATION

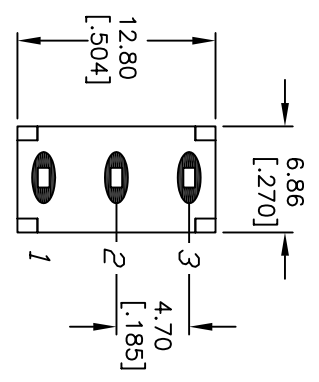
SWITCH FUNCTION			
POS. 1	POS. 2	POS. 3	
DN	NONE	DN	
2-3	OPEN	2-1	

NOTES:

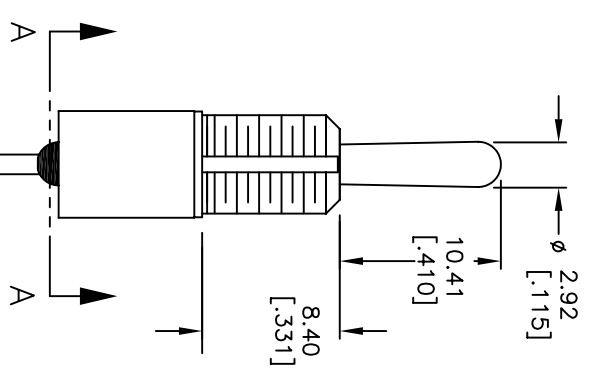
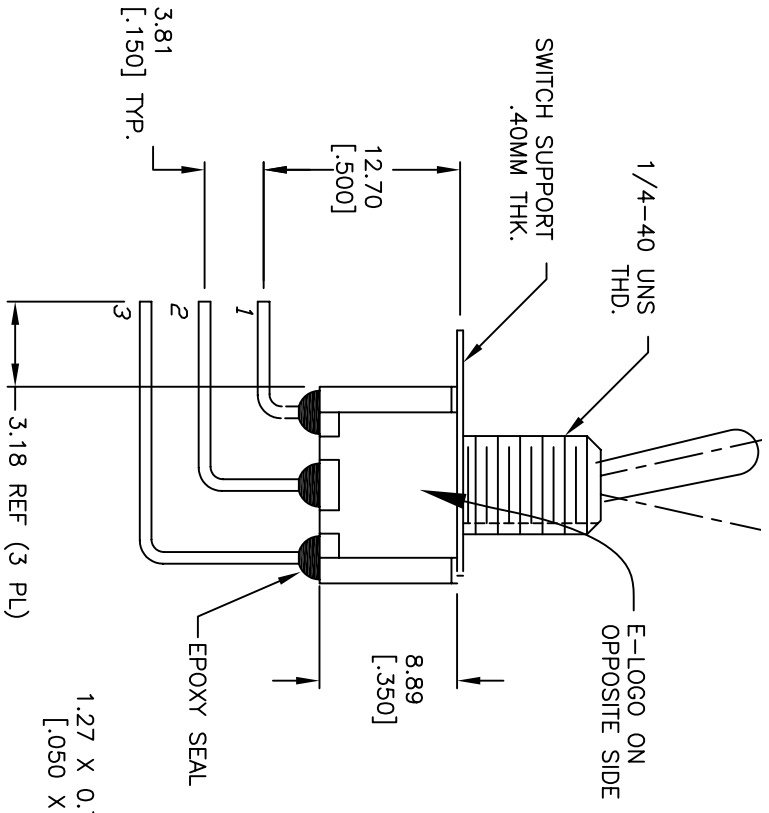
1. ALL DIMENSIONS IN MM [INCH]
2. GENERAL TOLERANCE: X.X=±0.4 X.XX=±0.25
3. TERMINAL NUMBERS FOR REF ONLY
4. RATING: 5A @120VAC OR 28VDC: 2A @250VAC
5. FIXED TERM. & MOVING CONTACT: Cu Alloy w/ Silver plate.
6. ELECTRIC LIFE: 50,000 make-and-break cycles at full load.
7. INSULATION RESISTANCE: 1,000 Mega-ohm min.
8. DIELECTRIC STRENGTH: 1,000 V RMS @sea level.
9. OPERATING TEMP.: -30°C to +85°C
10. 2002/95/EC (ROHS) COMPLIANT



POS. 1 POS. 3



SECTION A-A



REV.	ECN	DESCRIPTION	DATE	CHKD
C	15527	DIM FROM 8.89 TO 8.40,ADD RHHS	11/11/05	PH
B	15468	DIM FROM 4.5 TO3.18,ADD RHHS	10/28/05	PH
A	--	RELEASED	10/10/02	CB

TITLE		SCALE	DATE	DR	DWG	REV
100 SP-1 T1 B1 M7 Q E		2:1	10/10/02	CB	T111010	C

**E-SWITCH®**

THE INFORMATION CONTAINED IN THIS DOCUMENT IS PROPRIETARY TO E-SWITCH AND IS NOT TO BE COPIED OR TRANSFERRED