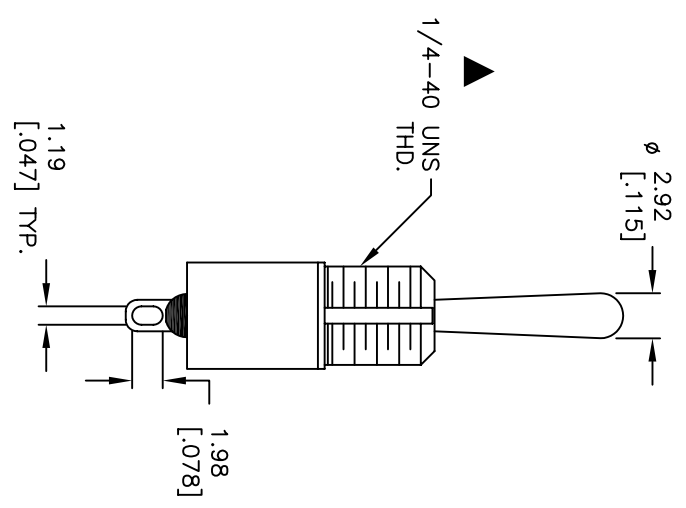
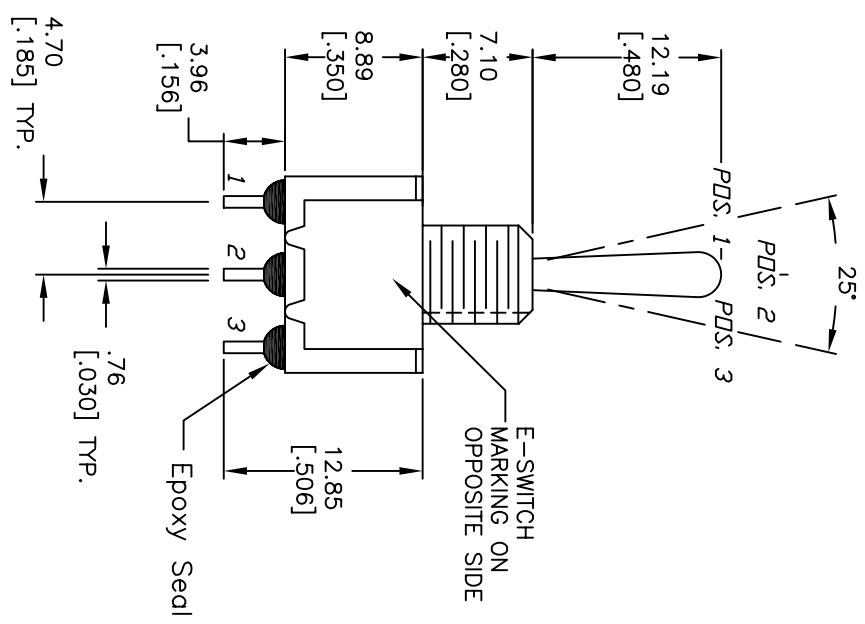
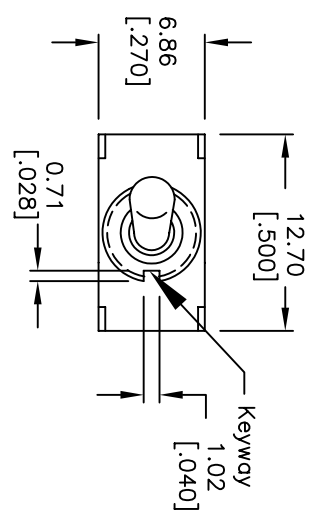


CIRCUIT: SPDT

SWITCH FUNCTION		
PDS: 1	PDS: 2	PDS: 3
DN	NONE	DN
2-3	OPEN	2-1

NOTES:

1. ALL DIMENSIONS IN MM [INCH]
2. GENERAL TOLERANCE: X.X=±0.4
X.XX=±0.25
3. TERM. NOS. FOR REF. ONLY
4. RATING: 5A @120VAC or 28VDC
2A @250VAC
5. FIXED TERMINAL/MOVING CONTACT:
Copper Alloy W/Silver plate.
6. ELECTRICAL LIFE: 50,000 make-and-break
cycles at full load.
7. INSULATION RESISTANCE: 1,000M ohm min.
8. DIELECTRIC STRENGTH: 1000V RMS @sea level
9. OPERATING TEMP.: -30°C to +85°C
10. 2002/95/EC (ROHS) COMPLIANT



REV.	ECN No.	DESCRIPTION	DATE	CHKD
C	15500	ADD ROHS	11/4/05	PH
B	14309	STANDARDS, ACTUATOR HEIGHT	9/10/04	AR
A	--	RELEASED FOR PRODUCTION	--	--

ADD ROHS		PH	
STANDARDS, ACTUATOR HEIGHT		AR	
RELEASED FOR PRODUCTION		--	
DESCRIPTION		DATE	
DATE		CHKD	
SCALE	DATE	DR	DWG
2:1	8/22/96	MM	T111012
TITLE	100SP11B3M1QE	REV	C
E-SWITCH®			

THE INFORMATION CONTAINED IN THIS DOCUMENT IS PROPRIETARY TO E-SWITCH AND IS NOT TO BE COPIED OR TRANSFERRED