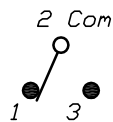


RECOMMENDED P.C.B. LAYOUT

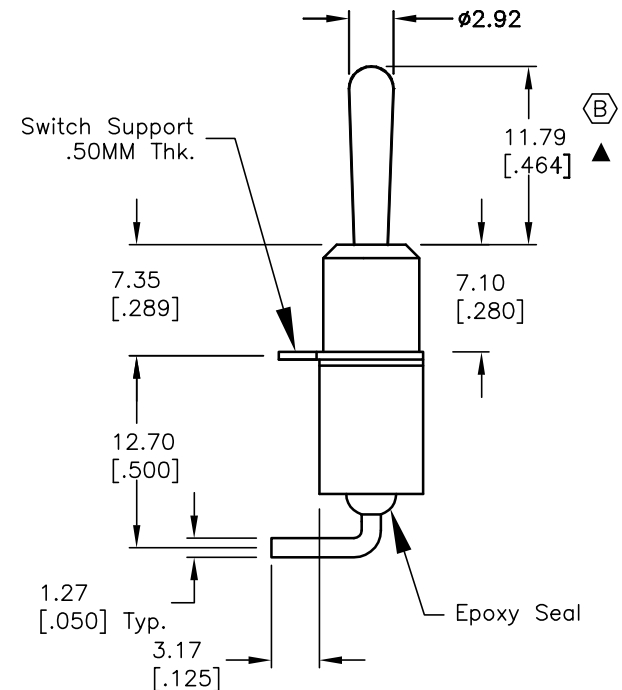
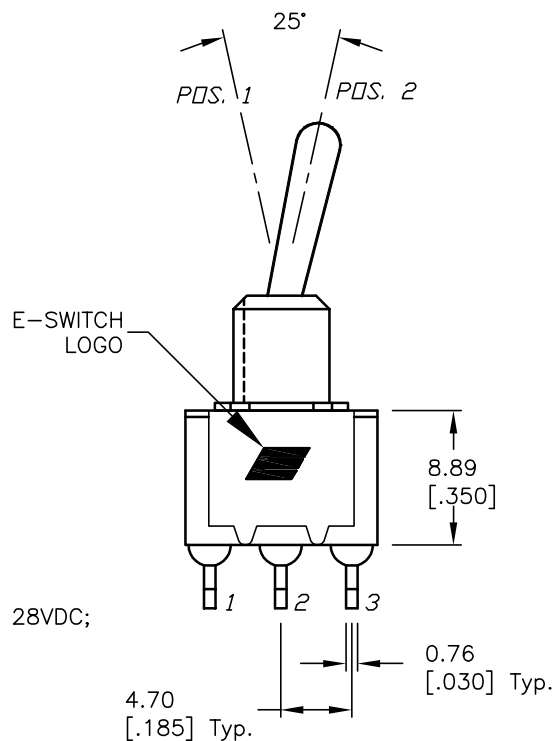
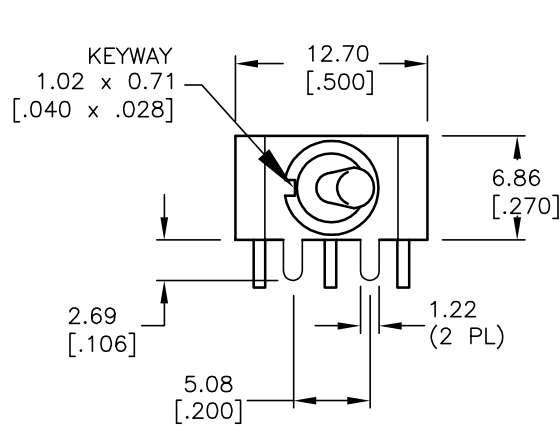


CIRCUIT: SPDT
CONTACT CONFIGURATION

SWITCH FUNCTION		
PDS. 1	PDS. 2	PDS. 3
ON	NONE	ON
2-3	OPEN	2-1

NOTES:

1. ALL DIMENSIONS IN MM [INCH]
2. GENERAL TOLERANCE: X.X=±0.4
X.XX=±0.25
3. TERM. NOS. FOR REF. ONLY
4. RATING: 5 AMPS WITH RESISTIVE LOAD @120VAC or 28VDC;
2 AMPS WITH RESISTIVE LOAD @250VAC
- ▲ 5. FIXED TERM. & MOVING CONTACT:
COPPER ALLOY W/SILVER PLATE.
6. ELECTRICAL LIFE: 50,000 make-and-break cycles
at full load.
7. INSULATION RESISTANCE: 1,000M ohm min.
8. DIELECTRIC STRENGTH: 1,000V RMS @sea level.
9. OPERATING TEMP.: -30°C to 85°C.
10. ▲ DENOTES CRITICAL PARAMETER.



E-SWITCH®

TITLE

100SP1T1B4M6QE

SCALE

2:1

DATE

8/8/03

DR

AR

DWG

T111072

REV

B

THE INFORMATION CONTAINED IN THIS DOCUMENT
IS PROPRIETARY TO E-SWITCH AND IS
NOT TO BE COPIED OR TRANSFERRED

B	13412	CORRECT ACTUATOR LENGTH	8/29/03	AR
A	13356	RELEASED FOR PRODUCTION	8/8/03	AR
REV.	ECN No.	DESCRIPTION	DATE	CHKD